
Description

U3-COB is a Super Speed USB3.0 Flash Driver with state-of-the-art NAND flash inside.

Offering read speed up to 80MB/sec for USB3.0 System and backwards compatible with USB2.0 as well.

U3-COB features the latest technology for USB Flash Drive and improves all performance.

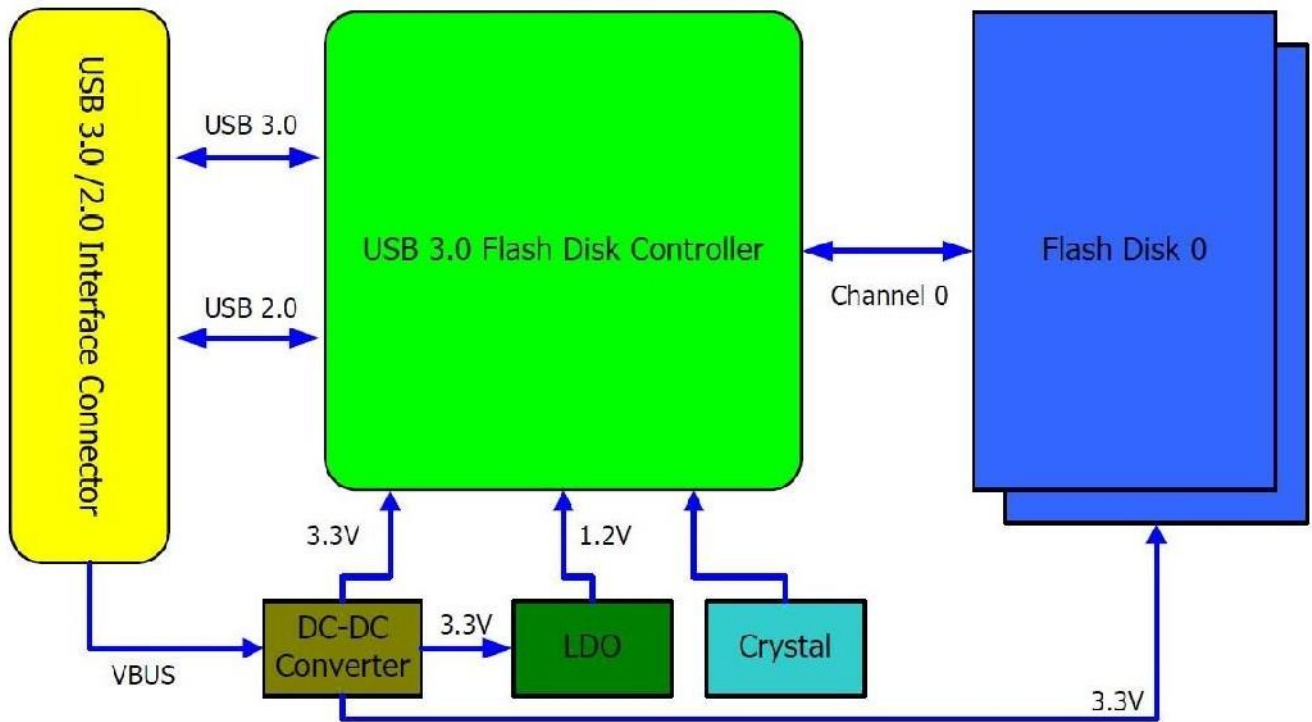
Key Features

- Capacity:4~128GBytes
- All new design concepts with ultra slim compact Size.
- Fully Compatible with Super Speed USB3.0 & Hi-Speed USB2.0
- Super Speed Performance
Read:80MB/s(max) ;
Write:22MB/s(max)
- Vibration resistance
- High reliability
- Low Power Consumption
- Complied with USB Bus-power devices specification..
- Hot Plug and Play
- No external power or battery needed
- CE, FCC ,RoHS Certificates

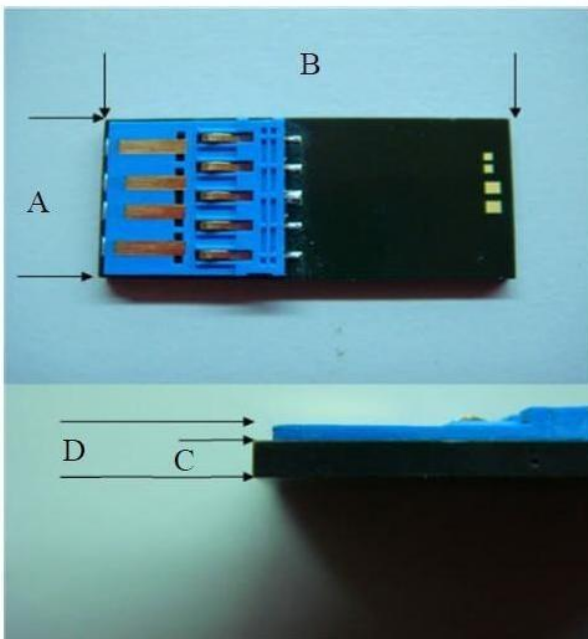
System Requirement

- Hardware: Desktop / notebook computer with USB3.0 port.
- Operating System: Windows XP/ Windows 2K/Vista/Windows 7/ Mac. OS 9.0 or later Lin

Block Diagram

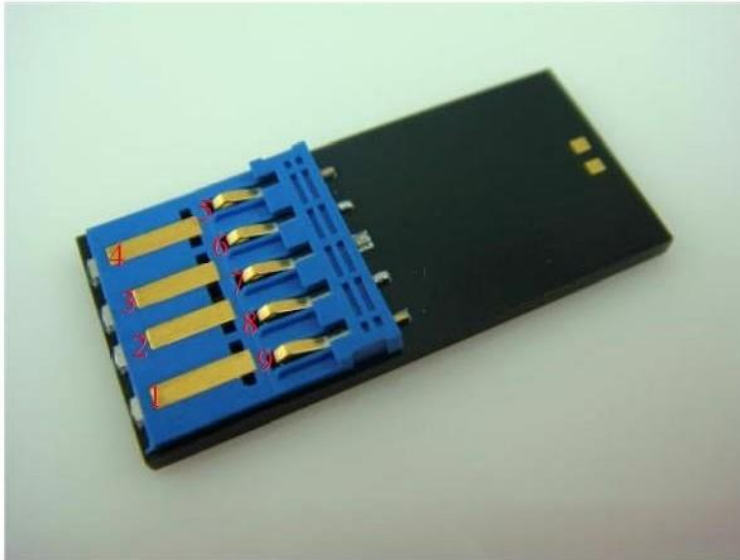


Outline



Dimensions		
Side	Millimeters	Inches
A	11.3± 0.15	0.444± 0.005
B	24.8± 0.15	0.976± 0.005
C	1.35± 0.15	0.053± 0.005
D	2.00± 0.15	0.078± 0.005

Pin Out



Pin No.	Pin Name	Function
01	VCC	Power
02	D-	
03	D+	
04	GND	Ground
05	SSRX-	
06	SSRX+	
07	GND	Ground
08	SSTX-	
09	SSTX+	

Specifications

Storage Capacity	UP to 128GB
Data Retention	10 years
Erase Cycles	>10,000 times
Connector Durability	10,000 times
System Performance	Read : 80MB/sec(max) , Write : 22MB/sec (max)
Power Supply	DC 5V ± 10% via the USB port
Temperature Range	Operation : 0-70°C , Non-Operation : -10°C-85°C
Certificates	CE 、 FCC 、 RoHS