

### Description

COB (Chips On Broad) is the USB Flash Drive with 1pcs of Flash Memory assembled on printed circuit board. The COB density is from 1GB to 128GB

### Outline

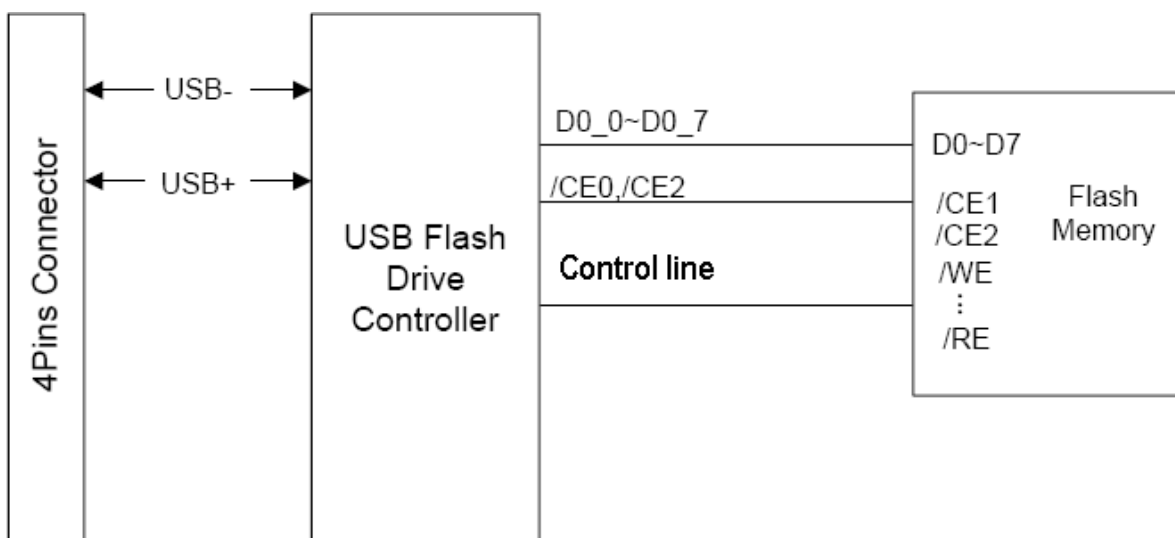


### Feature

- USB Interface: Compliant with USB specification 2.0
- PC-Lock Function: Makes COB a key to lock your computer
- Secret-Zip Function: Compress and/or Password protect saved files using AES Encryption
- E-mail Function: Use your COB to Securely Send, Receive and Save e-mails
- Auto Login Function: Automatically login to websites where you have a password.
- Favorites Function: Store all your favorite website addresses on the COB
- Data Backup Function: Backup, Restore and Synchronize your Data using the COB
- No external power or battery needed.

### Block Diagram

With 1 pcs of Flash Memory



**Pinouts**

Pin No.	Pin Name
01	VCC
02	USB-
03	USB+
04	VSS

**Pin Identification**

Symbol	Function
USB-	USB differential signal:
USB+	The pairs are used to transmit Data/Address/Command
VSS	Ground
VCC	USB power input

**Specification**

Storage Capacity	Up to 128 GB
Data Retention	10 years
Erase Cycles	>10,000 times
Connector Durability	10,000 times
System Performance	Read: 16MB/sec(max), Write: 8MB/sec (max)
Power Supply	DC 5V $\pm$ 10% via the USB port
Temperature Range	Operation: 0-70°C, Non-Operation: -10°C-85°C
Certificates	CE, FCC, BSMI

Above technical information is based on industry standard data and tested to be reliable. However, ANCORE Technology Corporation makes no warranty, either expressed or implied, as to its accuracy and assumes no liability in connection with the use of this product.

ANCORE reserves the right to make changes in specifications at any time without prior notice.