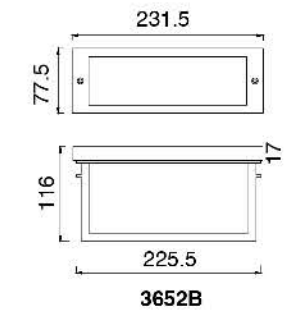
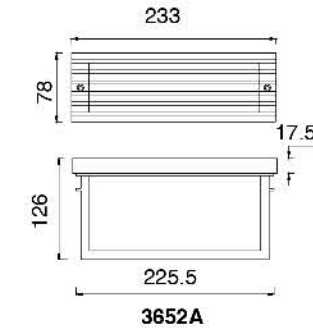
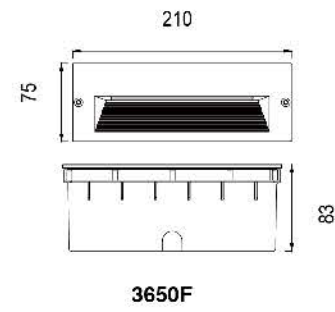
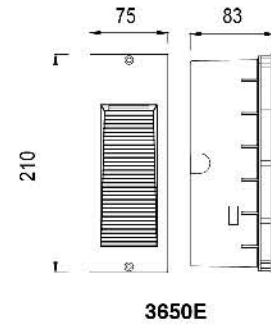
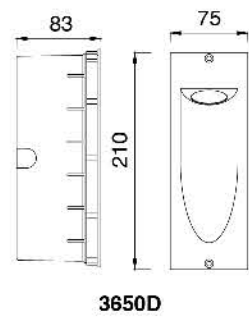


# WALL-RECESSED LIGHT





Description:  
Die-cast Aluminum housing



3650D



3650E



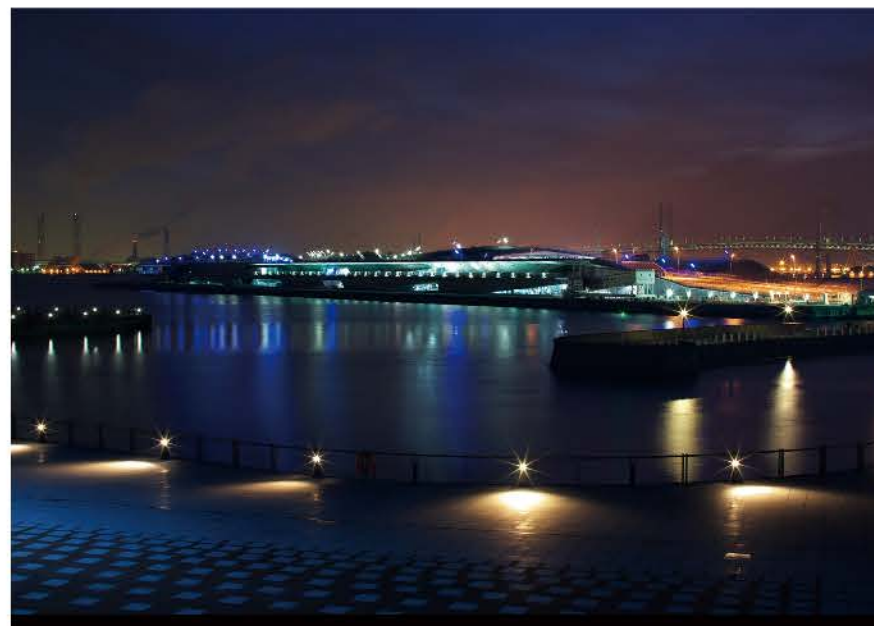
3650F

**No: 3650D -10W LED**  
Lumileds LED 10W  
Frost Glass  
Class I, IP65

H(m)	Eavg(lx)	Emax(lx)	D(m)
1	61.4	260.2	1.05
2	15.4	65.0	2.10
3	6.8	28.9	3.15
4	3.8	16.3	4.20
5	2.5	10.4	5.26

**No: 3650E-6W LED**  
Lumileds LED 6W 258.6lm  
Clear PC  
55.45°  
Class I, IP65

**No: 3650F-10W LED**  
Lumileds LED 10W  
Frost Glass  
Class I, IP65



Description:  
Die-cast Aluminum housing

H(m)	Eavg(lx)	Emax(lx)	D(m)
1	111.6	169.3	1.05
2	27.9	42.3	2.10
3	12.4	18.8	3.15
4	7.0	10.6	4.20
5	4.5	6.8	5.25

**No: 3652A-LED-10W**  
Everlite LED 10W 212.7lm  
Frost Glass  
55.47°  
Class I, IP65

H(m)	Eavg(lx)	Emax(lx)	D(m)
1	136.1	218.5	1.22
2	34.0	54.6	2.45
3	15.1	24.3	3.67
4	8.5	13.7	4.90
5	5.4	8.7	6.12

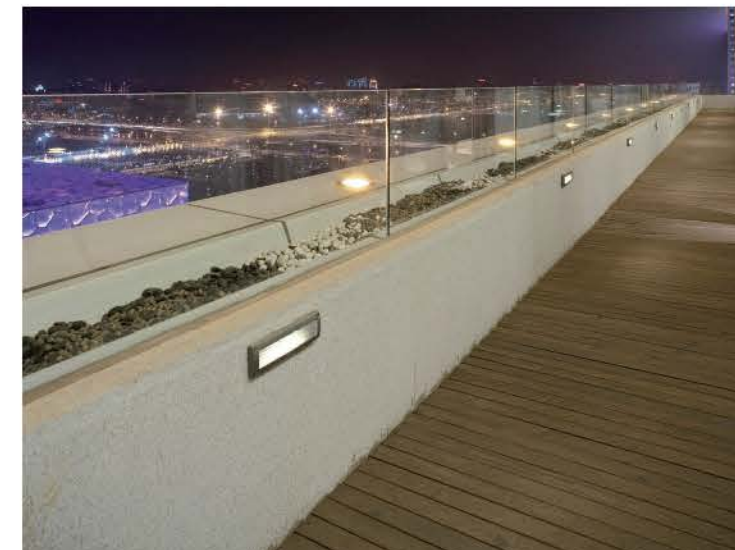
**No: 3652B-LED-10W**  
Everlite LED 10W 320.5lm  
Frost Glass  
63.00°  
Class I, IP65



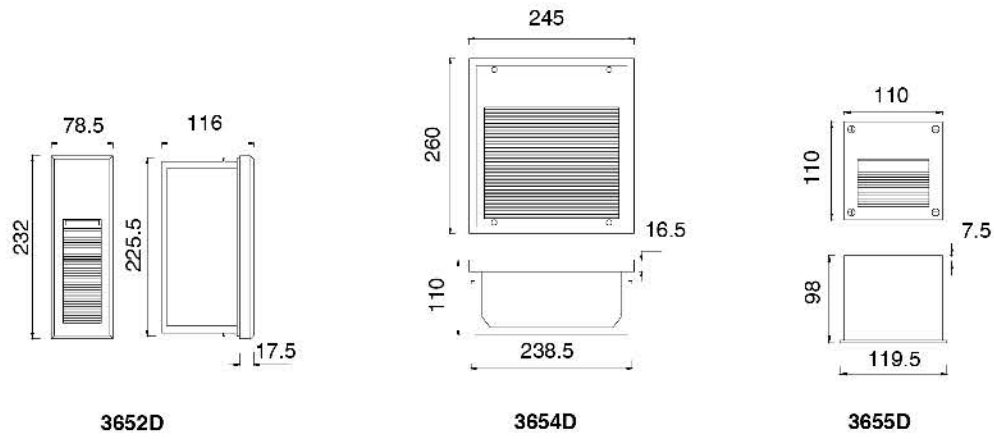
3652A



3652B





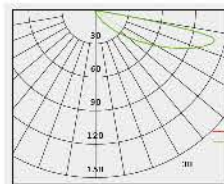


**Description:**

Die-cast Aluminum housing

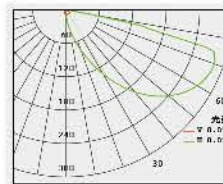


**3652D**



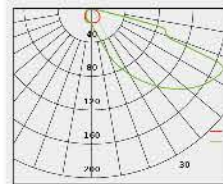
H(m)	Eavg(lx)	Emax(lx)	D(m)
1	0.8	1.8	0.38
2	0.2	0.5	0.77
3	0.1	0.2	1.15
4	0.0	0.1	1.54
5	0.0	0.1	1.92

**No: 3652D-LED-3W**  
 CREE LED 63W 140.6lm  
 Frost Glass  
 21.83°  
 Class I, IP65



H(m)	Eavg(lx)	Emax(lx)	D(m)
1	18.9	74.1	0.86
2	4.7	18.5	1.71
3	2.1	8.2	2.57
4	1.2	4.6	3.42
5	0.8	3.0	4.28

**No: 3654D-LED-10W**  
 Everlite LED 10W 262.9lm  
 Frost Glass  
 46.4°  
 Class I, IP65



H(m)	Eavg(lx)	Emax(lx)	D(m)
1	20.9	54.8	0.85
2	5.2	13.7	1.70
3	2.3	6.1	2.56
4	1.3	3.4	3.41
5	0.8	2.2	4.27

**No: 3655D-LED-6W**  
 Everlite LED 6W 160.9lm  
 Frost Glass  
 46.28°  
 Class I, IP65



**3654D**



**3655D**

