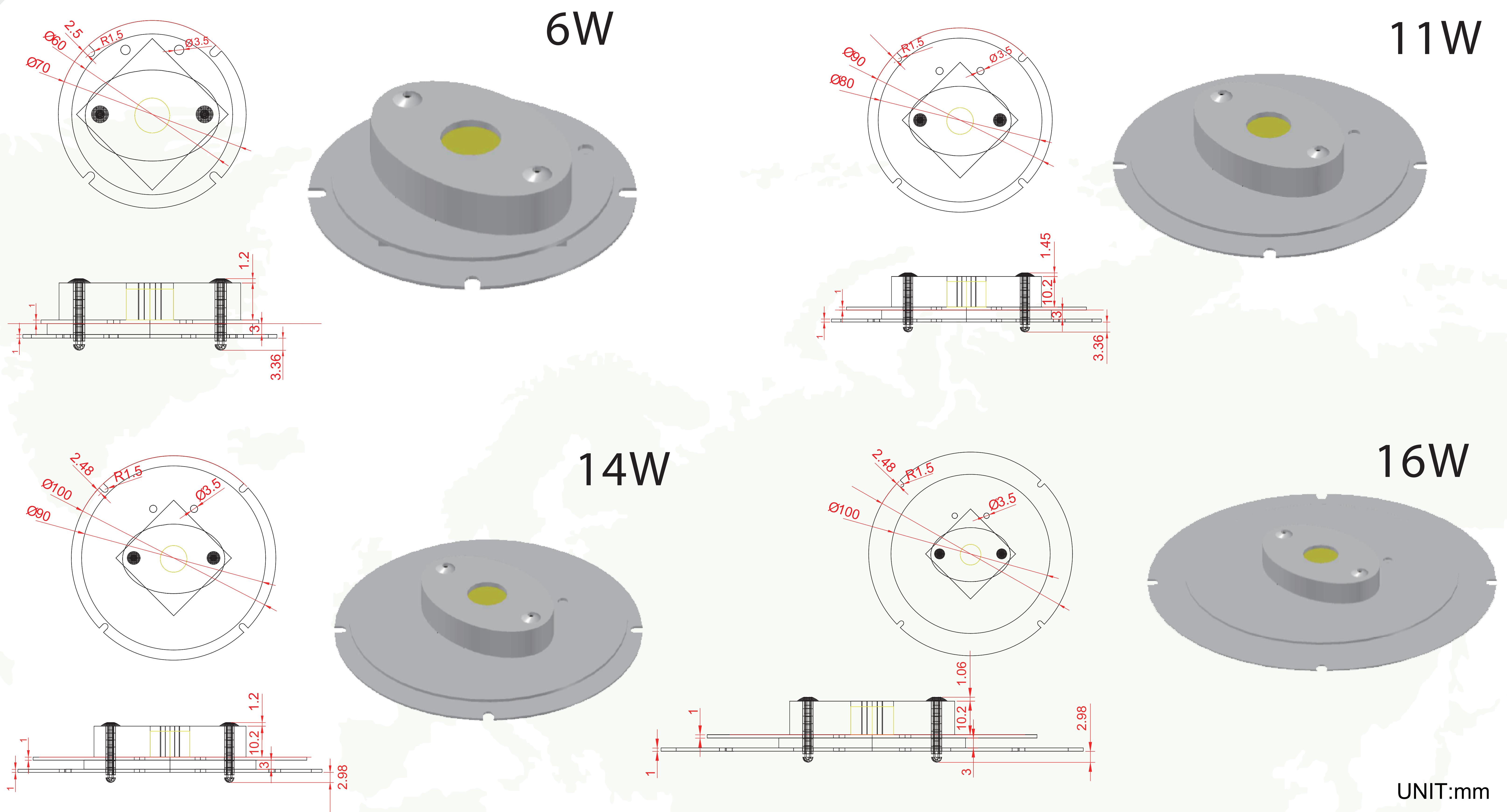


# ParagonLED®

## CPD G1.1 Series



UNIT:mm

### Features

- Thermal management solution
- Assemble easily
- LM80 Certificated

	Lumen	cct	Ra	*Transient* Protection
6W	495	3000K	>90	2.5KV
11W	900	3000K	>90	2.5KV
14W	1025	3000K	>90	2.5KV
16W	1285	3000K	>90	2.5KV

\* With external SPD



EN62471

LM80

ErP

Paragon Semiconductor Lighting Technology Co., Ltd.

<http://www.paragonled.com/>