



US009433103B2

(12) **United States Patent**
Chung et al.

(10) **Patent No.:** **US 9,433,103 B2**

(45) **Date of Patent:** ***Aug. 30, 2016**

(54) **METHOD OF MANUFACTURING A MULTICHIP PACKAGE STRUCTURE**

2201/2054 (2013.01); Y10T 29/49146 (2015.01); Y10T 29/49147 (2015.01)

(71) Applicant: **PARAGON SEMICONDUCTOR LIGHTING TECHNOLOGY CO., LTD.**, New Taipei (TW)

(58) **Field of Classification Search**
CPC H01L 25/0753; H05K 3/284; H05K 1/0203; H05K 2201/2054; H05K 2201/10106; Y10T 29/49146–29/49147
USPC 257/88, 91; 313/46; 362/235; 315/294
See application file for complete search history.

(72) Inventors: **Chia-Tin Chung**, Miaoli County (TW); **Chao-Chin Wu**, Taipei (TW); **Fang-Kuei Wu**, Taoyuan County (TW)

(56) **References Cited**

(73) Assignee: **PARAGON SEMICONDUCTOR LIGHTING TECHNOLOGY CO., LTD.**, New Taipei (TW)

U.S. PATENT DOCUMENTS

(*) Notice: Subject to any disclaimer, the term of this patent is extended or adjusted under 35 U.S.C. 154(b) by 0 days.

2011/0241035 A1* 10/2011 Chung H01L 25/0753 257/88
2012/0007122 A1* 1/2012 Choi H01L 33/483 257/98

This patent is subject to a terminal disclaimer.

* cited by examiner

Primary Examiner — Kenneth Parker

Assistant Examiner — Bo Fan

(21) Appl. No.: **14/803,185**

(74) *Attorney, Agent, or Firm* — Li & Cai Intellectual Property (USA) Office

(22) Filed: **Jul. 20, 2015**

(57) **ABSTRACT**

(65) **Prior Publication Data**

US 2015/0327373 A1 Nov. 12, 2015

A method of manufacturing a multichip package structure includes: providing a substrate body; placing a plurality of light-emitting chips on the substrate body, where the light-emitting chips are electrically connected to the substrate body and surrounded by the semidrying surrounding light-reflecting frame; naturally drying an outer layer of the surrounding liquid colloid at a predetermined room temperature to form a semidrying surrounding light-reflecting frame; naturally drying an outer layer of the surrounding liquid colloid at a predetermined room temperature to form a semidrying surrounding light-reflecting frame, where the semidrying surrounding light-reflecting frame has a non-drying surrounding colloid body disposed on the substrate body and a dried colloid outer layer totally covering the non-drying surrounding colloid body; and then forming a package colloid body on the substrate body to cover the light-emitting chips, where the semidrying surrounding light-reflecting frame contacts and surrounds the package colloid body.

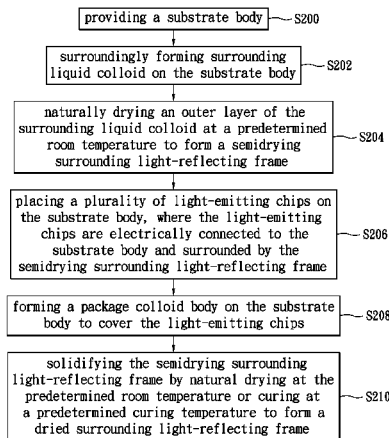
Related U.S. Application Data

(62) Division of application No. 13/425,692, filed on Mar. 21, 2012, now Pat. No. 9,125,328.

(51) **Int. Cl.**
H05K 3/28 (2006.01)
H01L 33/54 (2010.01)
H01L 33/60 (2010.01)

(52) **U.S. Cl.**
CPC **H05K 3/285** (2013.01); **H01L 33/54** (2013.01); **H01L 33/60** (2013.01); **H05K 3/284** (2013.01); **H01L 2224/05553** (2013.01); **H01L 2224/48091** (2013.01); **H01L 2924/181** (2013.01); **H05K 2201/10106** (2013.01); **H05K**

5 Claims, 11 Drawing Sheets



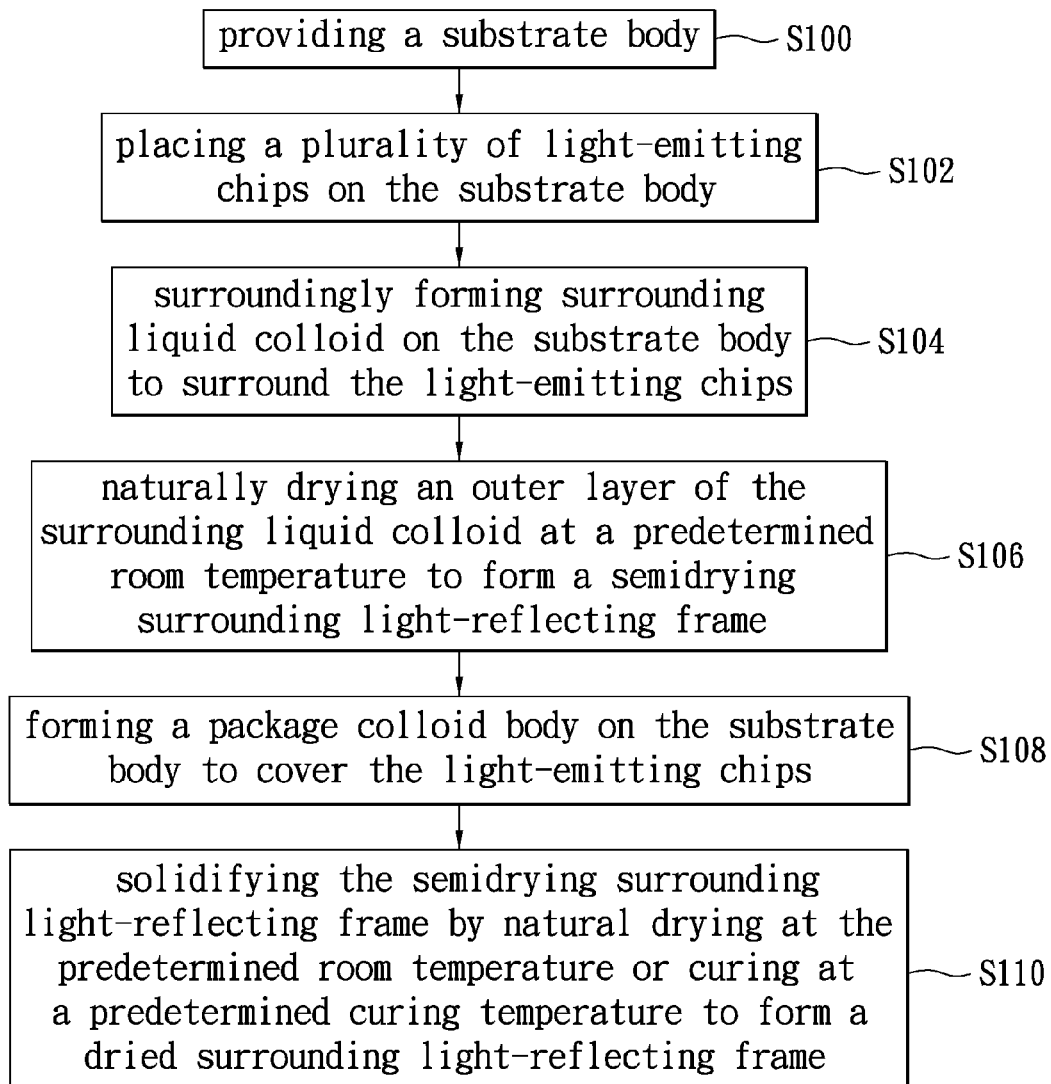


FIG. 1

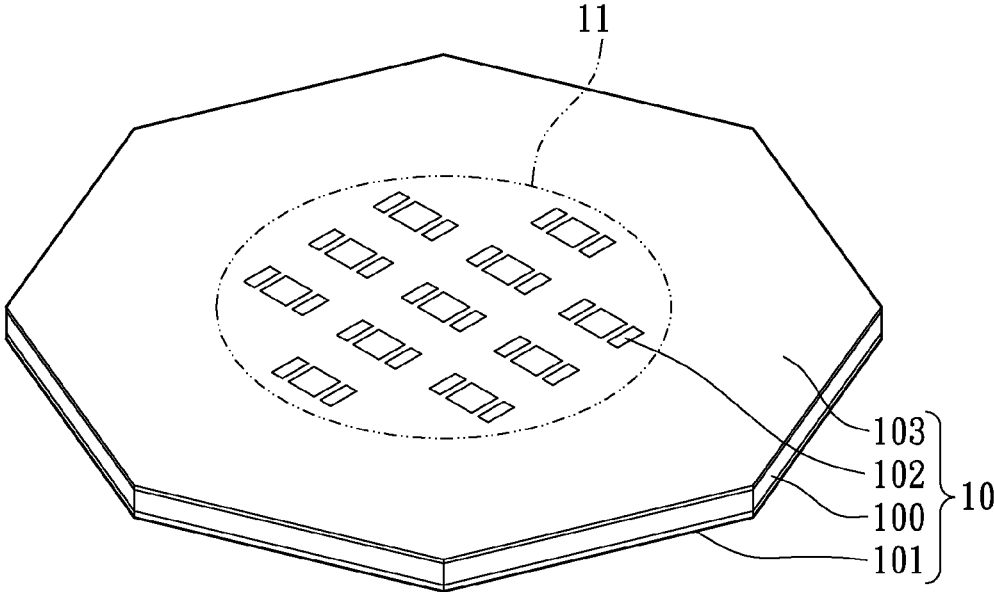


FIG. 2A

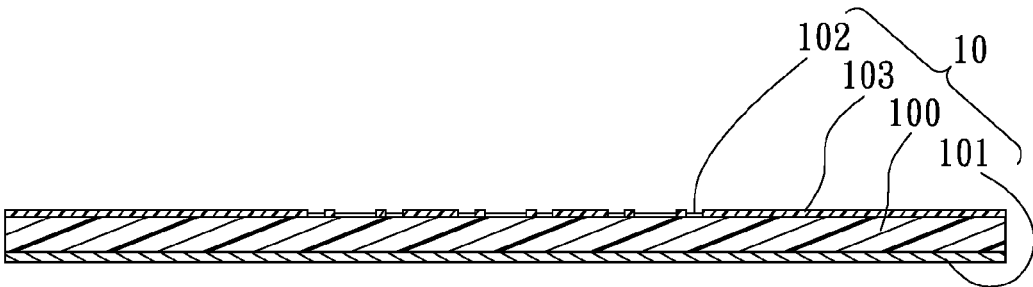


FIG. 2B

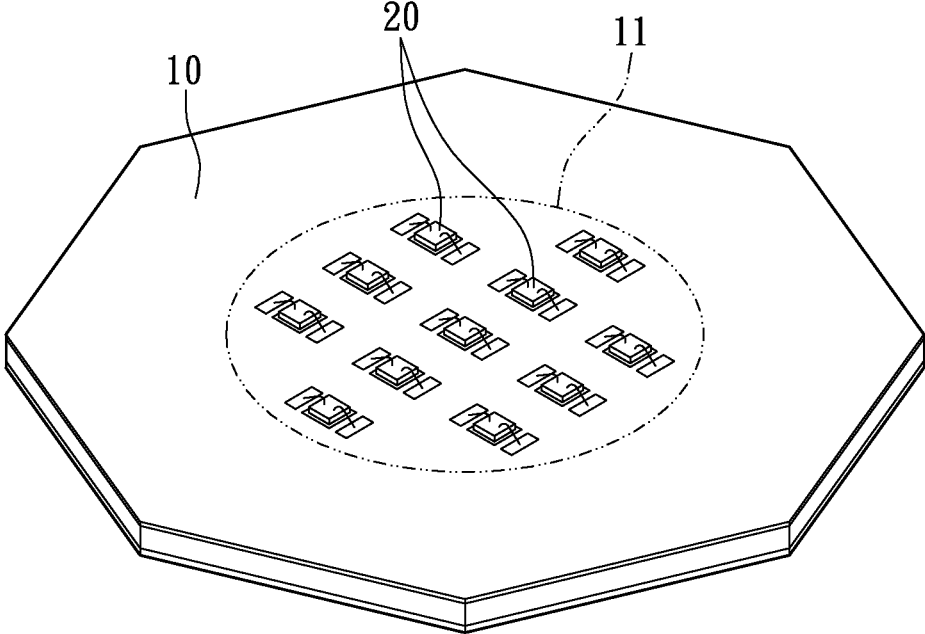


FIG. 3A

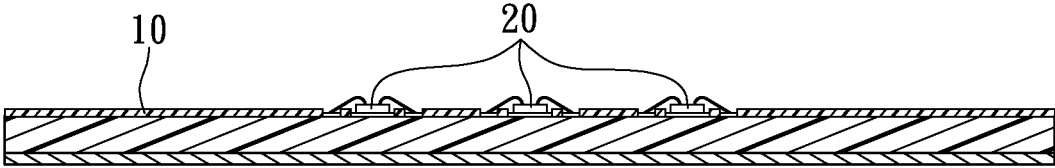


FIG. 3B

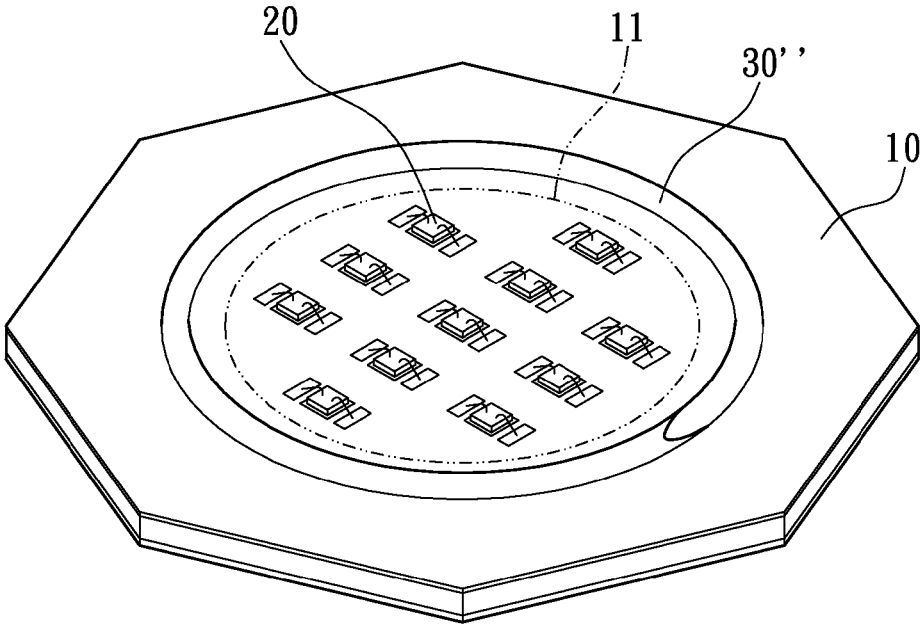


FIG. 4A

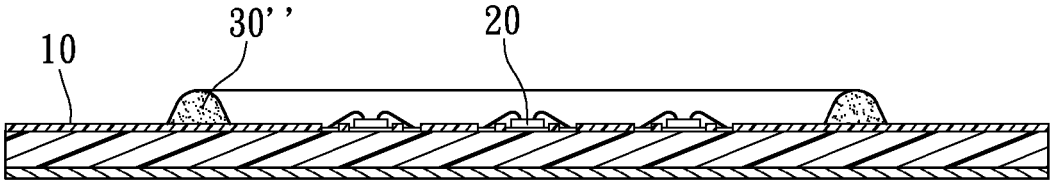


FIG. 4B

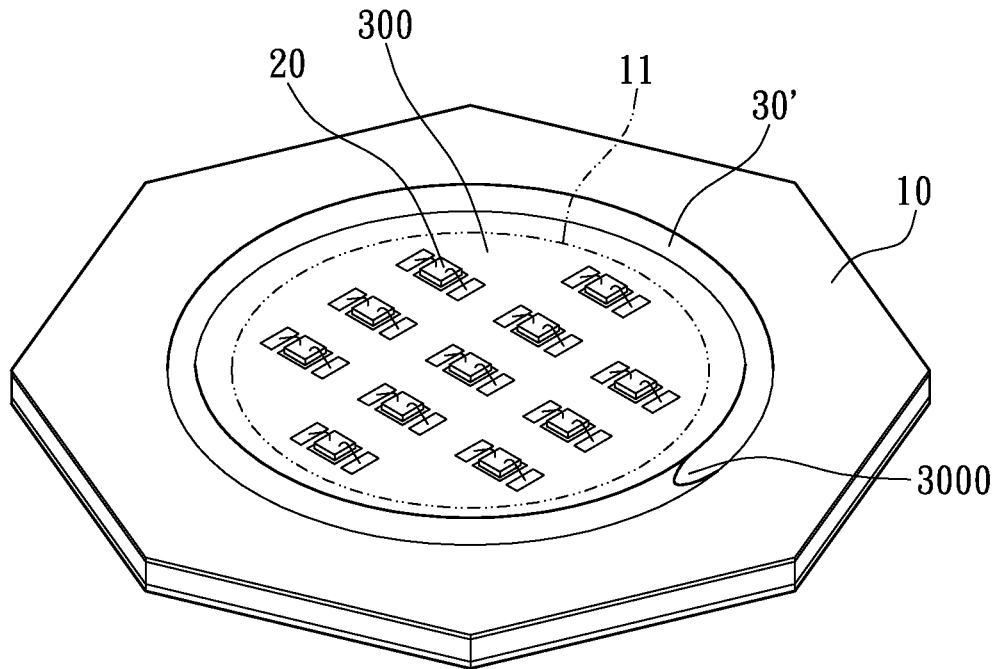


FIG. 5A

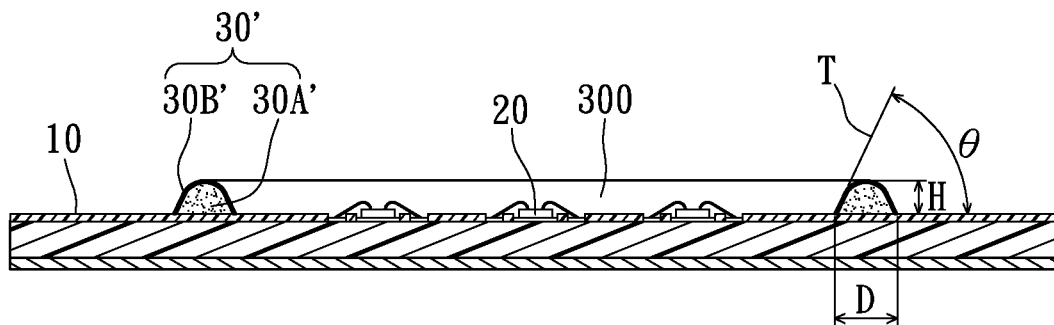


FIG. 5B

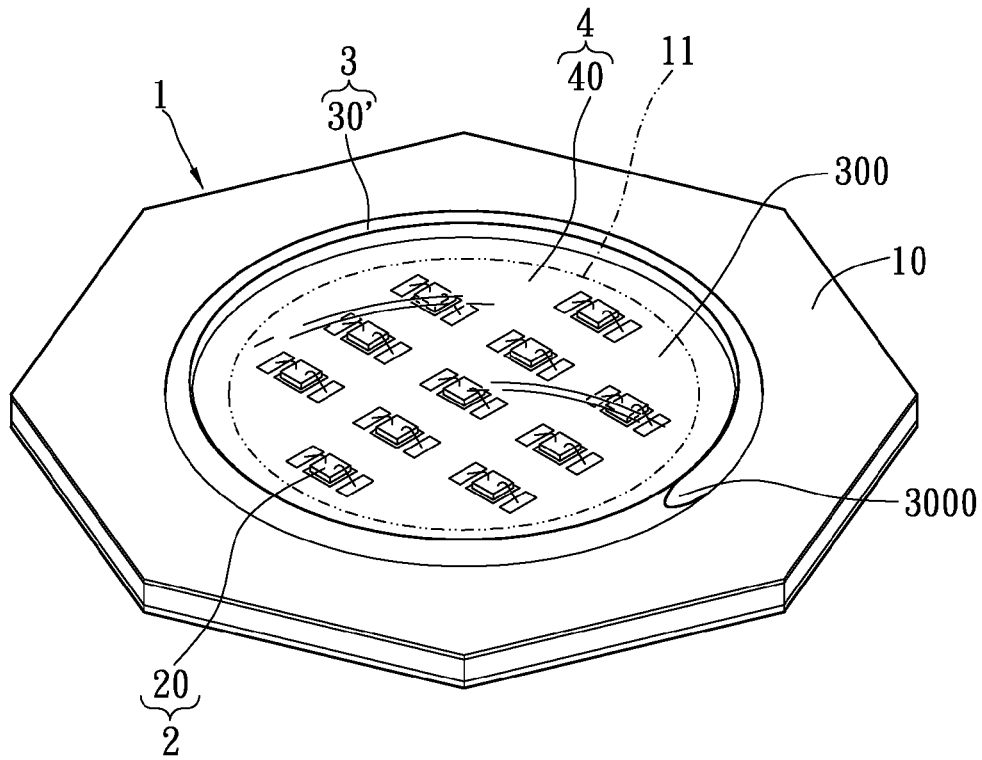


FIG. 6A

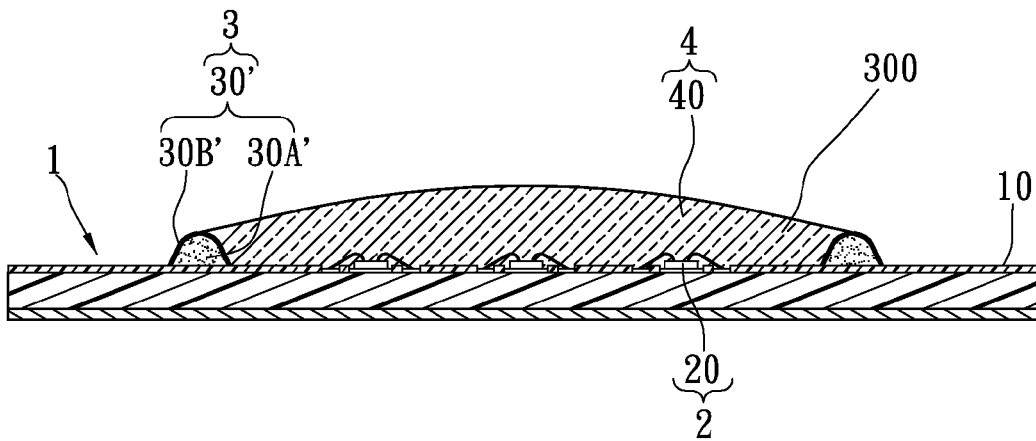


FIG. 6B

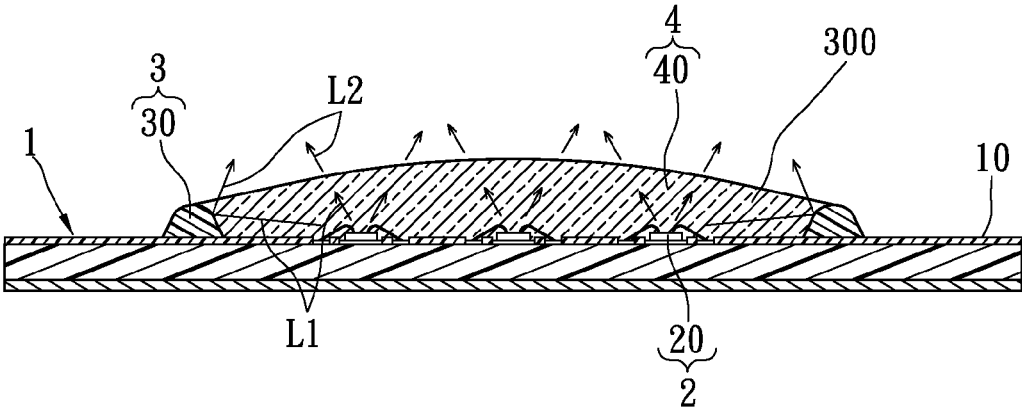


FIG. 7

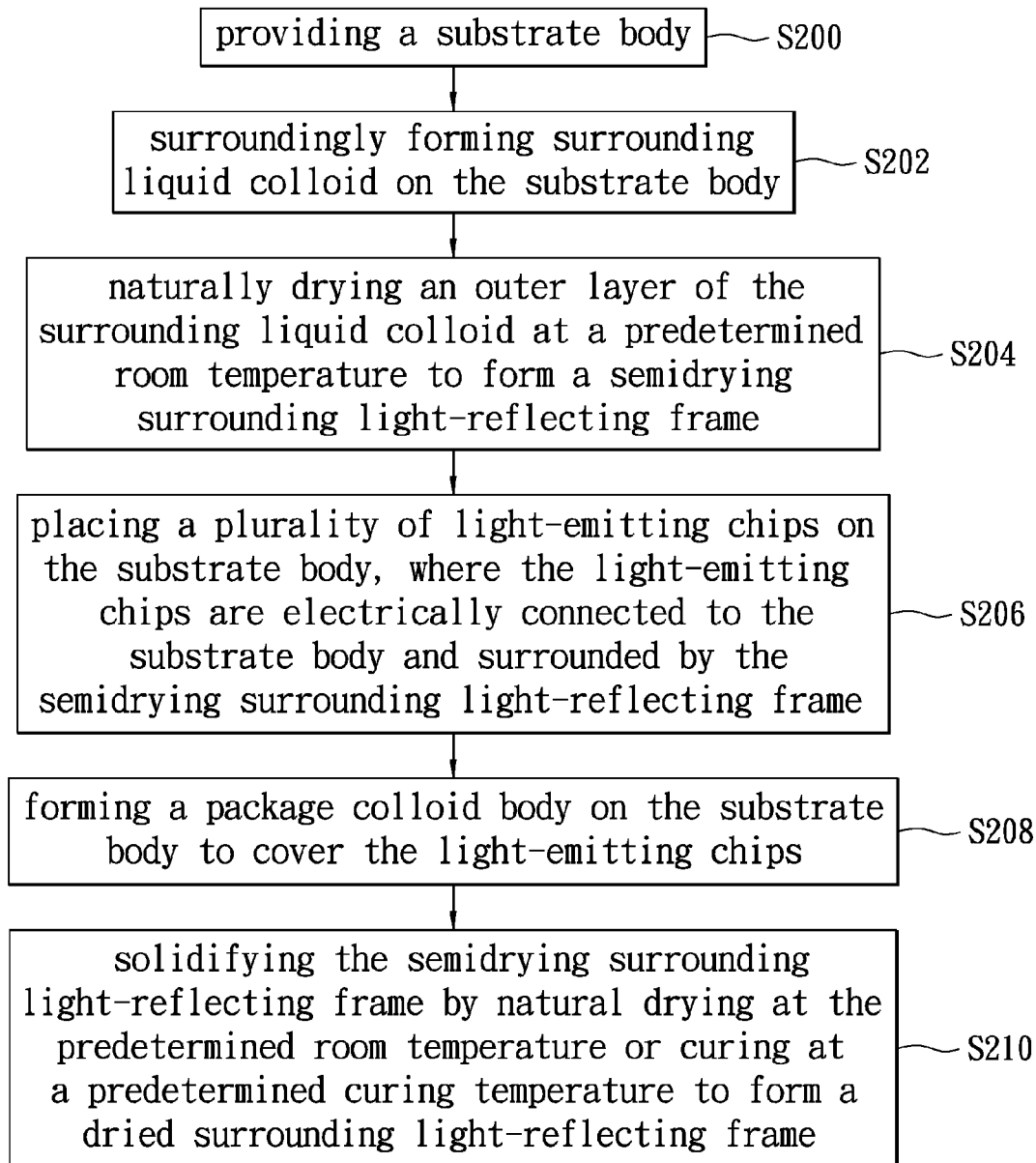


FIG. 8

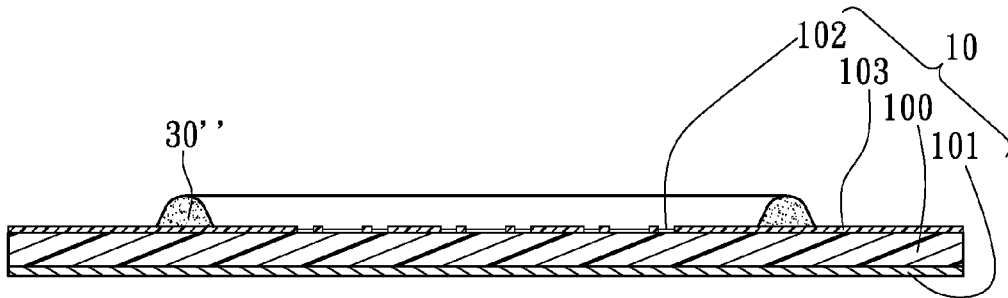


FIG. 9A

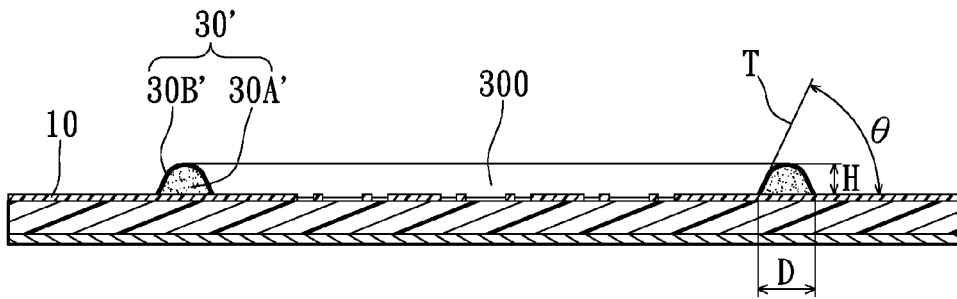


FIG. 9B

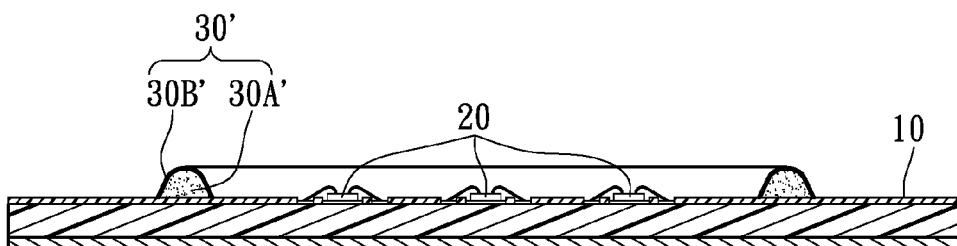


FIG. 9C

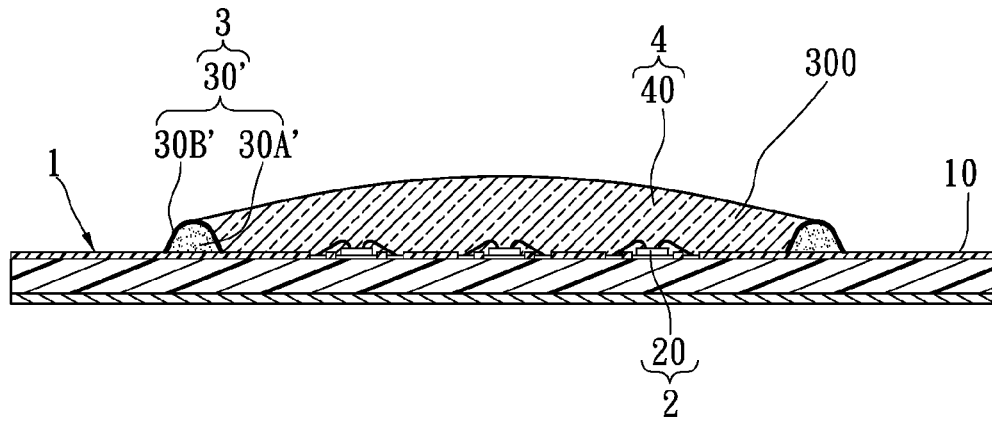


FIG. 9D

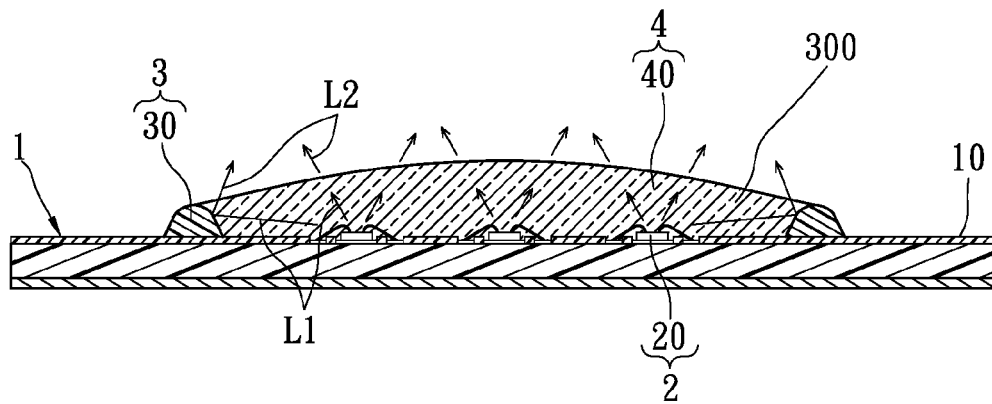


FIG. 9E

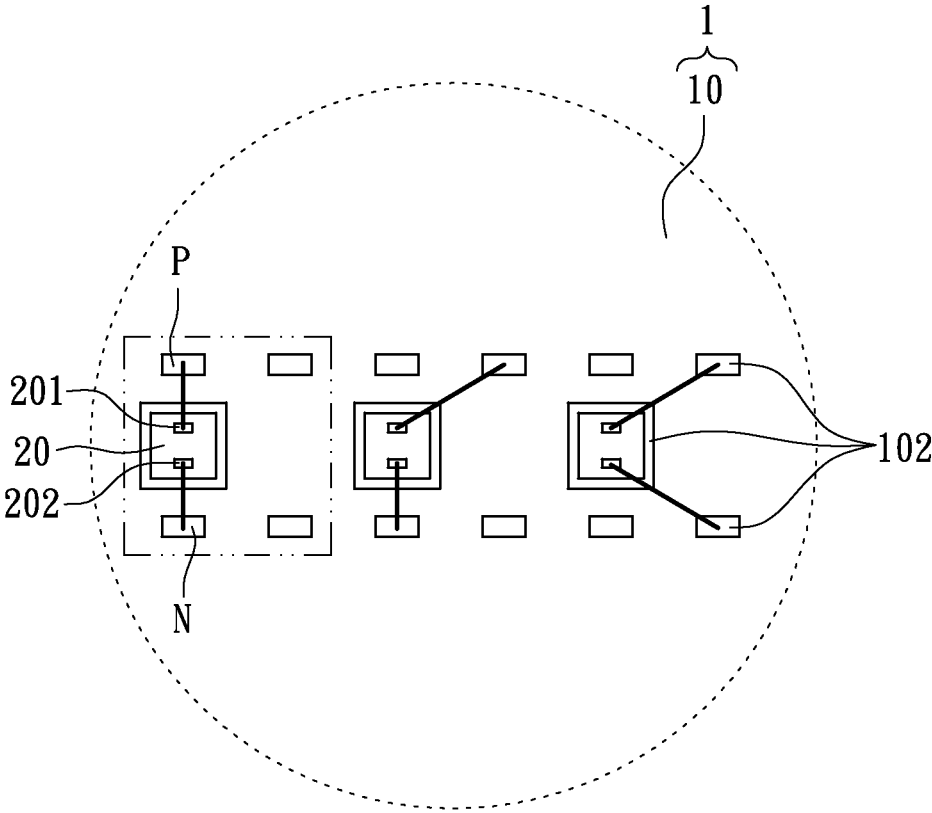


FIG. 10

1

METHOD OF MANUFACTURING A MULTICHIP PACKAGE STRUCTURE

CROSS REFERENCE TO RELATED APPLICATIONS

This application is a divisional application of Ser. No. 13/425,692 filed on Mar. 21, 2012, and entitled "MULTICHIP PACKAGE STRUCTURE AND METHOD OF MANUFACTURING THE SAME", now pending, the entire disclosures of which are incorporated herein by reference.

BACKGROUND OF THE INVENTION

1. Field of the Invention

The instant disclosure relates to a method of manufacturing a multichip package structure, and more particularly, to a method of manufacturing a multichip package structure for increasing the light-emitting efficiency and the light-projecting angle.

2. Description of Related Art

The invention of the lamp greatly changed the style of building construction and the living style of human beings, allowing people to work during the night. Without the invention of the lamp, we may stay in the living conditions of ancient civilizations.

The LED lamp has a plurality of LED chips and a white frame surrounding the LED chips for increasing the light-emitting efficiency of the LED lamp. However, the white frame is manufactured by a predetermined frame mold, thus the manufacturing cost is increased. In addition, when the shape of the white frame needs to be changed, the frame mold also needs to be changed according to the new shape of the white frame, thus the shape of the frame mold follows the shape of the white frame. Hence, when a new white frame is created for a new product, a new frame mold needs to be developed.

SUMMARY OF THE INVENTION

One aspect of the instant disclosure relates to a method of manufacturing a multichip package structure. The multichip package structure includes a semidrying surrounding light-reflecting frame formed without using any frame mold.

One of the embodiments of the instant disclosure provides a method of manufacturing a multichip package structure, comprising the steps of: providing a substrate body; placing a plurality of light-emitting chips on the substrate body, wherein the light-emitting chips are electrically connected to the substrate body; surroundingly forming surrounding liquid colloid on the substrate body to surround the light-emitting chips; naturally drying an outer layer of the surrounding liquid colloid at a predetermined room temperature to form a semidrying surrounding light-reflecting frame, wherein the semidrying surrounding light-reflecting frame has a non-drying surrounding colloid body disposed on the substrate body and a dried colloid outer layer totally covering the non-drying surrounding colloid body; and then forming a package colloid body on the substrate body to cover the light-emitting chips, wherein the semidrying surrounding light-reflecting frame contacts and surrounds the package colloid body. Furthermore, after the step of forming the package colloid body, the method further comprises: solidifying the semidrying surrounding light-reflecting frame by natural drying at the predetermined room temperature or curing at a predetermined curing temperature to form a dried surrounding light-reflecting frame.

2

Another one of the embodiments of the instant disclosure provides a method of manufacturing a multichip package structure, comprising the steps of: providing a substrate body; surroundingly forming surrounding liquid colloid on the substrate body; naturally drying an outer layer of the surrounding liquid colloid at a predetermined room temperature to form a semidrying surrounding light-reflecting frame, wherein the semidrying surrounding light-reflecting frame has a non-drying surrounding colloid body disposed on the substrate body and a dried colloid outer layer totally covering the non-drying surrounding colloid body; placing a plurality of light-emitting chips on the substrate body, wherein the light-emitting chips are electrically connected to the substrate body and surrounded by the semidrying surrounding light-reflecting frame; and then forming a package colloid body on the substrate body to cover the light-emitting chips, wherein the semidrying surrounding light-reflecting frame contacts and surrounds the package colloid body. Furthermore, after the step of forming the package colloid body, the method further comprises: solidifying the semidrying surrounding light-reflecting frame by natural drying at the predetermined room temperature or curing at a predetermined curing temperature to form a dried surrounding light-reflecting frame.

Moreover, the semidrying surrounding light-reflecting frame has a convex junction portion or a concave junction portion formed on the top surface thereof. The semidrying surrounding light-reflecting frame is extended from an initial point to a terminal point, and the position of the initial point and the position of the terminal point are substantially overlapping. The semidrying surrounding light-reflecting frame has an arc shape formed on the top surface thereof, the semidrying surrounding light-reflecting frame has a radius tangent and the angle of the radius tangent relative to the top surface of the substrate body is between 40° and 50°, the maximum height of the semidrying surrounding light-reflecting frame relative to the top surface of the substrate body is between 0.3 mm and 0.7 mm, the width of the bottom side of the semidrying surrounding light-reflecting frame is between 1.5 mm and 3 mm, the thixotropic index of the semidrying surrounding light-reflecting frame is between 4 and 6, and the semidrying surrounding light-reflecting frame is formed by mixing inorganic additive with white thermohardening colloid. The substrate unit includes a plurality of positive pads disposed on the top surface of the substrate body and a plurality of negative pads disposed on the top surface of the substrate body, wherein each light-emitting chip has a positive electrode and a negative electrode, the positive electrode of each light-emitting chip corresponds to at least two of the positive pads, and the negative electrode of each light-emitting chip corresponds to at least two of the negative pads. The positive electrode of each light-emitting chip is electrically connected to one of the two corresponding positive pads, and the negative electrode of each light-emitting chip is electrically connected to one of the two corresponding negative pads.

Therefore, the semidrying surrounding light-reflecting frame can be formed on the substrate body without using any frame mold in the instant disclosure.

To further understand the techniques, means and effects of the instant disclosure applied for achieving the prescribed objectives, the following detailed descriptions and appended drawings are hereby referred, such that, through which, the purposes, features and aspects of the instant disclosure can be thoroughly and concretely appreciated. However, the

appended drawings are provided solely for reference and illustration, without any intention to limit the instant disclosure.

BRIEF DESCRIPTION OF THE DRAWINGS

FIG. 1 shows a flowchart of the method of manufacturing a multichip package structure according to the first embodiment of the instant disclosure;

FIG. 2A shows a perspective, schematic view of the step S100 according to the first embodiment of the instant disclosure;

FIG. 2B shows a cross-sectional, schematic view of the step S100 according to the first embodiment of the instant disclosure;

FIG. 3A shows a perspective, schematic view of the step S102 according to the first embodiment of the instant disclosure;

FIG. 3B shows a cross-sectional, schematic view of the step S102 according to the first embodiment of the instant disclosure;

FIG. 4A shows a perspective, schematic view of the step S104 according to the first embodiment of the instant disclosure;

FIG. 4B shows a cross-sectional, schematic view of the step S104 according to the first embodiment of the instant disclosure;

FIG. 5A shows a perspective, schematic view of the step S106 according to the first embodiment of the instant disclosure;

FIG. 5B shows a cross-sectional, schematic view of the step S106 according to the first embodiment of the instant disclosure;

FIG. 6A shows a perspective, schematic view of the step S108 according to the first embodiment of the instant disclosure;

FIG. 6B shows a cross-sectional, schematic view of the step S108 according to the first embodiment of the instant disclosure;

FIG. 7 shows a cross-sectional, schematic view of the step S110 according to the first embodiment of the instant disclosure;

FIG. 8 shows a flowchart of the method of manufacturing a multichip package structure according to the second embodiment of the instant disclosure;

FIG. 9A shows a cross-sectional, schematic view of the step S200 and S202 according to the second embodiment of the instant disclosure;

FIG. 9B shows a cross-sectional, schematic view of the step S204 according to the second embodiment of the instant disclosure;

FIG. 9C shows a cross-sectional, schematic view of the step S206 according to the second embodiment of the instant disclosure;

FIG. 9D shows a cross-sectional, schematic view of the step S208 according to the second embodiment of the instant disclosure;

FIG. 9E shows a cross-sectional, schematic view of the step S210 according to the second embodiment of the instant disclosure; and

FIG. 10 shows a partial, top, schematic view of using a plurality of standby pads according to the instant disclosure.

DETAILED DESCRIPTION OF THE PREFERRED EMBODIMENTS

First Embodiment

Referring to FIG. 1 to FIG. 7, where the first embodiment of the instant disclosure provides a method of manufacturing

a multichip package structure for increasing the light-emitting efficiency and the light-projecting angle.

Referring to FIG. 1, the method of manufacturing a multichip package structure of the first embodiment of the instant disclosure, comprising the steps of: providing a substrate body (S100); placing a plurality of light-emitting chips on the substrate body, wherein the light-emitting chips are electrically connected to the substrate body (S102); surroundingly forming surrounding liquid colloid on the substrate body to surround the light-emitting chips (S104); naturally drying an outer layer of the surrounding liquid colloid at a predetermined room temperature to form a semidrying surrounding light-reflecting frame, wherein the semidrying surrounding light-reflecting frame has a non-drying surrounding colloid body disposed on the substrate body and a dried colloid outer layer totally covering the non-drying surrounding colloid body (S106); forming a package colloid body on the substrate body to cover the light-emitting chips, wherein the semidrying surrounding light-reflecting frame contacts and surrounds the package colloid body (S108); and then solidifying the semidrying surrounding light-reflecting frame by natural drying at the predetermined room temperature or curing at a predetermined curing temperature to form a dried surrounding light-reflecting frame (S110).

Referring to FIGS. 1, 2A and 2B, the method comprises: providing a substrate body 10 (step S100). For example, the substrate body 10 has a chip-mounting area 11 disposed on the top surface thereof, and the substrate body 10 has a circuit substrate 100, a heat-dissipating layer 101 disposed on the bottom surface of the circuit substrate 100, a plurality of conductive pads 102 disposed on the top surface of the circuit substrate 100, and an insulating layer 103 disposed on the top surface of the circuit substrate 100 to expose the conductive pads 102. Hence, the heat-dissipating efficiency of the circuit substrate 100 can be increased by using the heat-dissipating layer 101, and the insulating layer 103 may be a solder mask for only exposing the conductive pads 102. However, the substrate body 10 used in the first embodiment is merely an example and is not meant to limit the instant disclosure.

Referring to FIGS. 1, 3A and 3B, the method comprises: placing a plurality of light-emitting chips 20 on the substrate body 10 (step S102), where each light-emitting chip may be a LED chip, and the light-emitting chips 20 are disposed on the chip-mounting area 11 and electrically connected to the substrate body 10. In other words, a predetermined chip-mounting area 11 can be formed on the substrate body 10 in advance, thus the light-emitting chips 20 can be placed on the chip-mounting area 11 of the substrate body 10 to electrically connect to the substrate body 10. In the first embodiment, the light-emitting chips 20 can be electrically connected to the substrate body 10 by wire bonding.

Referring to FIGS. 1, 4A and 4B, the method comprises: surroundingly forming surrounding liquid colloid 30" on the substrate body 10 to surround the light-emitting chips 20 (step S104), where the surrounding liquid colloid 30" can be formed as a predetermined shape (such as a circular shape, a square or a rectangular shape etc.) on the substrate body 10 by coating according to different requirements. The thixotropic index of the surrounding liquid colloid 30" may be between 4 and 6, the pressure of coating the surrounding liquid colloid 30" on the top surface of the substrate body 10 may be between 350 kpa and 450 kpa, and the velocity of coating the surrounding liquid colloid 30" on the top surface of the substrate body 10 may be between 5 mm/s and 15 mm/s. The surrounding liquid colloid 30" can be surround-

5

ingly coated on the top surface of the substrate body **10** from an initial point to a terminal point, and the position of the initial point and the position of the terminal point are substantially overlapping.

Referring to FIGS. **1**, **5A** and **5B**, the method comprises: naturally drying an outer layer of the surrounding liquid colloid **30''** at a predetermined room temperature (such as 25° or 20°~30°) without any curing device to form a semidrying surrounding light-reflecting frame **30'**, where the semidrying surrounding light-reflecting frame **30'** has a non-drying surrounding colloid body **30A'** (such as surrounding liquid colloid that is not to be dried) disposed on the substrate body **10** and a dried colloid outer layer **30B'** (such as surrounding solidifying colloid that is dried) totally covering the non-drying surrounding colloid body **30A'** (step **S106**). For example, the semidrying surrounding light-reflecting frame **30'** can be extended from an initial point to a terminal point, and the position of the initial point and the position of the terminal point are substantially overlapping, thus the semidrying surrounding light-reflecting frame **30'** has a convex or concave junction portion **3000** formed on the top surface thereof. Moreover, the semidrying surrounding light-reflecting frame **30'** has an arc shape formed on the top surface thereof. The semidrying surrounding light-reflecting frame **30'** has a radius tangent **T** and the angle θ of the radius tangent **T** relative to the top surface of the substrate body **10** may be between 40° and 50°. The maximum height **H** of the semidrying surrounding light-reflecting frame **30'** relative to the top surface of the substrate body **10** may be between 0.3 mm and 0.7 mm, and the width **D** of the bottom side of the semidrying surrounding light-reflecting frame **30'** may be between 1.5 mm and 3 mm. The thixotropic index of the semidrying surrounding light-reflecting frame **30'** may be between 4 and 6, and the semidrying surrounding light-reflecting frame **30'** may be formed by mixing inorganic additive with white thermohardening colloid. In addition, the semidrying surrounding light-reflecting frame **30'** surrounds the light-emitting chips **20** to form a colloid position limiting space **300** on the chip-mounting area **11** of the substrate body **10**.

Referring to FIGS. **1**, **6A** and **6B**, the method comprises: forming a package colloid body **40** on the substrate body **10** to cover the light-emitting chips **20**, where the semidrying surrounding light-reflecting frame **30'** contacts and surrounds the package colloid body **40** (step **S108**). For example, the package colloid body **40** may be a light-transmitting resin body inside the colloid position limiting space **300**, and the package colloid body **40** has a convex top surface.

Hence, referring to FIGS. **6A** and **6B** and the steps from **S100** to **S108**, the first embodiment of the instant disclosure provides a multichip package structure for increasing the light-emitting efficiency and the light-projecting angle, comprising: a substrate unit **1**, a light-emitting unit **2**, a frame unit **3** and a package unit **4**. The substrate unit **1** includes a substrate body **10**. The light-emitting unit **2** includes a plurality of light-emitting chips **20** disposed on the substrate body **10** and electrically connected to the substrate body **10**. The frame unit **3** includes a semidrying surrounding light-reflecting frame **30'** surrounding disposed on the substrate body **10**. The light-emitting chips **20** are surrounded by the semidrying surrounding light-reflecting frame **30'**, and the semidrying surrounding light-reflecting frame **30'** has a non-drying surrounding colloid body **30A'** disposed on the substrate body **10** and a dried colloid outer layer **30B'** totally covering the non-drying surrounding colloid body **30A'**. The package unit **4** includes a package colloid body **40** disposed

6

on the substrate body **10** to cover the light-emitting chips **20**, and the semidrying surrounding light-reflecting frame **30'** contacts and surrounds the package colloid body **40**.

Referring to FIGS. **1** and **7**, after the step of forming the package colloid body **40** (the step **S108**), the method further comprises: solidifying the semidrying surrounding light-reflecting frame **30'** by natural drying at the predetermined room temperature or curing at a predetermined curing temperature to form a dried surrounding light-reflecting frame **30** (step **S110**). For example, in the first embodiment, each light-emitting chip **20** may be a blue LED chip, and the package colloid body **40** may be a phosphor resin body, thus blue light beams **L1** generated by the light-emitting chips **20** (the blue LED chips) can pass through the package colloid body **40** (the phosphor resin body) to generate white light beams **L2** that are similar to the light source generate by sun lamp.

In conclusion, when the position of the package colloid body **40** can be limited in the colloid position limiting space **300** by using the dried surrounding light-reflecting frame **30**, the usage quantity of the package colloid body **40** can be controlled by the designer. In addition, the surface shape and the height of the package colloid body **40** can be adjusted by control the usage quantity of the package colloid body **40**, thus light-projecting angle of the white light beams **L2** can be adjusted by different surface shapes and heights of the package colloid body **40**. Moreover, the blue light beams **L1** generated by the light-emitting chips **20** can be reflected by an inner wall of the dried surrounding light-reflecting frame **30** in order to increase the light-emitting efficiency of the multichip package structure of the instant disclosure. In other words, the position of the package colloid body **40** such as the phosphor resin body can be limited inside the colloid position limiting space **300** by using the dried surrounding light-reflecting frame **30**, and the shape of the package colloid body **40** can be adjusted by using the dried surrounding light-reflecting frame **30**, thus the light-emitting efficiency and the light-projecting angle of the multichip package structure of the instant disclosure can be increased.

Second Embodiment

Referring to FIG. **8** and FIGS. **9A** to **9E**, where the second embodiment of the instant disclosure provides a method of manufacturing a multichip package structure for increasing the light-emitting efficiency and the light-projecting angle.

Referring to FIG. **8**, the method of manufacturing a multichip package structure of the second embodiment of the instant disclosure, comprising the steps of: providing a substrate body (**S200**); surrounding forming surrounding liquid colloid on the substrate body (**S202**); naturally drying an outer layer of the surrounding liquid colloid at a predetermined room temperature to form a semidrying surrounding light-reflecting frame, wherein the semidrying surrounding light-reflecting frame has a non-drying surrounding colloid body disposed on the substrate body and a dried colloid outer layer totally covering the non-drying surrounding colloid body (**S204**); placing a plurality of light-emitting chips on the substrate body, wherein the light-emitting chips are electrically connected to the substrate body and surrounded by the semidrying surrounding light-reflecting frame (**S206**); forming a package colloid body on the substrate body to cover the light-emitting chips, wherein the semidrying surrounding light-reflecting frame contacts and surrounds the package colloid body (**S208**); and then solidifying the semidrying surrounding light-reflecting frame by natural drying at the predetermined room temperature or

curing at a predetermined curing temperature to form a dried surrounding light-reflecting frame (S210).

Referring to FIGS. 8 and 9A, the method comprises: providing a substrate body 10 (step S200). For example, the substrate body 10 has a chip-mounting area (not shown) disposed on the top surface thereof, and the substrate body 10 has a circuit substrate 100, a heat-dissipating layer 101 disposed on the bottom surface of the circuit substrate 100, a plurality of conductive pads 102 disposed on the top surface of the circuit substrate 100, and an insulating layer 103 disposed on the top surface of the circuit substrate 100 to expose the conductive pads 102.

Referring to FIGS. 8 and 9B, the method comprises: surroundingly forming surrounding liquid colloid 30" on the substrate body 10 (step S202), where the surrounding liquid colloid 30" can be formed as a predetermined shape (such as a circular shape, a square or a rectangular shape etc.) on the substrate body 10 by coating according to different requirements. The surrounding liquid colloid 30" can be surroundingly coated on the top surface of the substrate body 10 from an initial point to a terminal point, and the position of the initial point and the position of the terminal point are substantially overlapping.

Referring to FIGS. 8 and 9B, the method comprises: naturally drying an outer layer of the surrounding liquid colloid 30" at a predetermined room temperature (such as 25° or 20°~30°) without any curing device to form a semidrying surrounding light-reflecting frame 30', where the semidrying surrounding light-reflecting frame 30' has a non-drying surrounding colloid body 30A' (such as surrounding liquid colloid that is not to be dried) disposed on the substrate body 10 and a dried colloid outer layer 30B' (such as surrounding solidifying colloid that is dried) totally covering the non-drying surrounding colloid body 30A' (step S204). For example, the semidrying surrounding light-reflecting frame 30' can be extended from an initial point to a terminal point, and the position of the initial point and the position of the terminal point are substantially overlapping, thus the semidrying surrounding light-reflecting frame 30' has a convex or concave junction portion (not shown) formed on the top surface thereof. Moreover, the semidrying surrounding light-reflecting frame 30' has an arc shape formed on the top surface thereof. The semidrying surrounding light-reflecting frame 30' has a radius tangent T and the angle θ of the radius tangent T relative to the top surface of the substrate body 10 may be between 40° and 50°. The maximum height H of the semidrying surrounding light-reflecting frame 30' relative to the top surface of the substrate body 10 may be between 0.3 mm and 0.7 mm, and the width D of the bottom side of the semidrying surrounding light-reflecting frame 30' may be between 1.5 mm and 3 mm. The thixotropic index of the semidrying surrounding light-reflecting frame 30' may be between 4 and 6, and the semidrying surrounding light-reflecting frame 30' may be formed by mixing inorganic additive with white thermohardening colloid. In addition, the semidrying surrounding light-reflecting frame 30' surrounds the light-emitting chips 20 to form a colloid position limiting space 300 on the chip-mounting area 11 of the substrate body 10.

Referring to FIGS. 8 and 9C, the method comprises: placing a plurality of light-emitting chips 20 on the substrate body 10, where the light-emitting chips 20 are electrically connected to the substrate body 10 and surrounded by the semidrying surrounding light-reflecting frame 30' (step S206). For example, each light-emitting chip may be a LED chip, and the light-emitting chips 20 can be electrically connected to the substrate body 10 by wire bonding.

Referring to FIGS. 8 and 9D, the method comprises: forming a package colloid body 40 on the substrate body 10 to cover the light-emitting chips 20, where the semidrying surrounding light-reflecting frame 30' contacts and surrounds the package colloid body 40 (step S208). For example, the package colloid body 40 may be a light-transmitting resin body inside the colloid position limiting space 300, and the package colloid body 40 has a convex top surface.

Hence, referring to FIG. 9D and the steps from S200 to S208, the second embodiment of the instant disclosure provides a multichip package structure for increasing the light-emitting efficiency and the light-projecting angle, comprising: a substrate unit 1, a light-emitting unit 2, a frame unit 3 and a package unit 4. The substrate unit 1 includes a substrate body 10. The light-emitting unit 2 includes a plurality of light-emitting chips 20 disposed on the substrate body 10 and electrically connected to the substrate body 10. The frame unit 3 includes a semidrying surrounding light-reflecting frame 30' surroundingly disposed on the substrate body 10. The light-emitting chips 20 are surrounded by the semidrying surrounding light-reflecting frame 30', and the semidrying surrounding light-reflecting frame 30' has a non-drying surrounding colloid body 30A' disposed on the substrate body 10 and a dried colloid outer layer 30B' totally covering the non-drying surrounding colloid body 30A'. The package unit 4 includes a package colloid body 40 disposed on the substrate body 10 to cover the light-emitting chips 20, and the semidrying surrounding light-reflecting frame 30' contacts and surrounds the package colloid body 40.

Referring to FIGS. 8 and 9E, after the step of forming the package colloid body 40 (the step S208), the method further comprises: solidifying the semidrying surrounding light-reflecting frame 30' by natural drying at the predetermined room temperature or curing at a predetermined curing temperature to form a dried surrounding light-reflecting frame 30 (step S210). For example, in the first embodiment, each light-emitting chip 20 may be a blue LED chip, and the package colloid body 40 may be a phosphor resin body, thus blue light beams L1 generated by the light-emitting chips 20 (the blue LED chips) can pass through the package colloid body 40 (the phosphor resin body) to generate white light beams L2 that are similar to the light source generate by sun lamp.

Referring to FIG. 10, the substrate unit 1 includes a plurality of positive pads P disposed on the top surface of the substrate body 10 and a plurality of negative pads N disposed on the top surface of the substrate body 10. For the scope defined by the imaginary line in FIG. 10, each light-emitting chip 20 has a positive electrode 201 and a negative electrode 202, the positive electrode 201 of each light-emitting chip 20 corresponds to at least two of the positive pads P, and the negative electrode 202 of each light-emitting chip 20 corresponds to at least two of the negative pads N. In addition, the positive electrode 201 of each light-emitting chip 20 can be electrically connected to one of the two corresponding positive pads P by wire bonding, and the negative electrode 202 of each light-emitting chip 20 is electrically connected to one of the two corresponding negative pads N by wire bonding.

In conclusion, the semidrying surrounding light-reflecting frame 30' can be formed on the substrate body 10 without using any frame mold in the instant disclosure.

The above-mentioned descriptions merely represent the preferred embodiments of the instant disclosure, without any intention or ability to limit the scope of the instant disclosure which is fully described only within the following claims.

Various equivalent changes, alterations or modifications based on the claims of instant disclosure are all, consequently, viewed as being embraced by the scope of the instant disclosure.

What is claimed is:

- 1. A method of manufacturing a multichip package structure, comprising the steps of:
 - providing a substrate body;
 - placing a plurality of light-emitting chips on the substrate body, wherein the light-emitting chips are electrically connected to the substrate body;
 - surroundingly forming surrounding liquid colloid on the substrate body to surround the light-emitting chips;
 - forming a semidrying surrounding light-reflecting frame by naturally drying the surrounding liquid colloid at a predetermined room temperature between 20° C.-30° C. until the surrounding liquid colloid forms a dried colloid outer layer and a non-drying colloid body without using any curing device, the dried colloid outer layer covering the non-drying colloid body, and the dried colloid outer layer and the non-drying colloid body to form the semidrying surrounding light-reflecting frame;
 - forming a package colloid body on the substrate body to cover the light-emitting chips while the non-drying colloid body of the semidrying surrounding light-reflecting frame is further naturally dried at the predetermined room temperature between 20° C.-30° C., wherein the semidrying surrounding light-reflecting frame contacts and surrounds the package colloid body; and
 - after forming a package colloid body on the substrate body to cover the light-emitting chips, the non-drying colloid body of the semidrying surrounding light-reflecting frame is further naturally dried at the predetermined room temperature between 20° C.-30° C. until completely dried, and thus the semidrying surrounding light-reflecting frame becomes a dried surrounding light-reflecting frame, the dried surrounding light-reflecting frame being in a solid state;

wherein the semidrying surrounding light-reflecting frame has an arc shape formed on the top surface of the semidrying surrounding light-reflecting frame, the semidrying surrounding light-reflecting frame has a radius tangent and the angle of the radius tangent relative to the top surface of the substrate body is between 40° and 50°, the maximum height of the semidrying surrounding light-reflecting frame relative to the top surface of the substrate body is between 0.3 mm and 0.7 mm, the width of the bottom side of the semidrying surrounding light-reflecting frame is between 1.5 mm and 3 mm, the thixotropic index of the semidrying surrounding light-reflecting frame is between 4 and 6, and the semidrying surrounding light-reflecting frame is formed by mixing inorganic additive with white thermohardening colloid.

- 2. The method of claim 1, wherein the semidrying surrounding light-reflecting frame has a convex junction portion or a concave junction portion formed on the top surface of the semidrying surrounding light-reflecting frame.
- 3. The method of claim 1, wherein the semidrying surrounding light-reflecting frame is annularly extended from an initial point to a terminal point, and the position of the initial point and the position of the terminal point are substantially overlapping.
- 4. The method of claim 1, wherein the substrate unit includes a plurality of positive pads disposed on the top surface of the substrate body and a plurality of negative pads disposed on the top surface of the substrate body, wherein each light-emitting chip has a positive electrode and a negative electrode, the positive electrode of each light-emitting chip corresponds to at least two of the positive pads, and the negative electrode of each light-emitting chip corresponds to at least two of the negative pads.
- 5. The method of claim 4, wherein the positive electrode of each light-emitting chip is electrically connected to one of the two corresponding positive pads, and the negative electrode of each light-emitting chip is electrically connected to one of the two corresponding negative pads.

* * * * *