



US009029883B2

(12) **United States Patent**
Chung

(10) **Patent No.:** **US 9,029,883 B2**

(45) **Date of Patent:** **May 12, 2015**

(54) **LED PACKAGE STRUCTURE WITH
CONCAVE AREA FOR POSITIONING
HEAT-CONDUCTING SUBSTANCE**

(58) **Field of Classification Search**

CPC H01L 2933/0075; H01L 2924/12041;
H01L 2224/45144; H01L 2224/48247

USPC 257/88-103, E33
See application file for complete search history.

(75) Inventor: **Chia-Tin Chung**, Miaoli County (TW)

(73) Assignee: **Paragon Semiconductor Lighting
Technology Co., Ltd.**, Taoyuan County
(TW)

(56) **References Cited**

U.S. PATENT DOCUMENTS

7,935,976 B2 * 5/2011 Park 257/98
2006/0098438 A1 * 5/2006 Ouderkirk et al. 362/294
2006/0243995 A1 * 11/2006 Hong et al. 257/98
2010/0072492 A1 * 3/2010 Chen et al. 257/88

* cited by examiner

(*) Notice: Subject to any disclaimer, the term of this patent is extended or adjusted under 35 U.S.C. 154(b) by 922 days.

(21) Appl. No.: **13/180,298**

Primary Examiner — Cuong Q Nguyen

(22) Filed: **Jul. 11, 2011**

(74) *Attorney, Agent, or Firm* — Pai Patent & Trademark Law Firm; Chao-Chang David Pai

(65) **Prior Publication Data**

US 2011/0266566 A1 Nov. 3, 2011

Related U.S. Application Data

(62) Division of application No. 12/558,492, filed on Sep. 12, 2009, now Pat. No. 8,008,099.

(57) **ABSTRACT**

An LED package structure with concave area for positioning heat-conducting substance includes a substrate unit, a heat-conducting adhesive unit, a light-emitting unit, a conductive unit and a package unit. The substrate unit has a substrate body, a concave space formed on the substrate body, and a plurality of positive and negative pads exposed on the substrate body. The heat-conducting adhesive unit has a heat-conducting adhesive layer positioned in the concave space. The light-emitting unit has a plurality of LED chips disposed on the heat-conducting adhesive layer and received in the concave space. The conductive unit has a plurality of wires. Each LED chip is electrically connected between each positive pad and each negative pad. The package unit has a translucent package resin body disposed on the substrate body in order to cover the LED chips and the wires.

(30) **Foreign Application Priority Data**

Jul. 8, 2009 (TW) 98123046 A

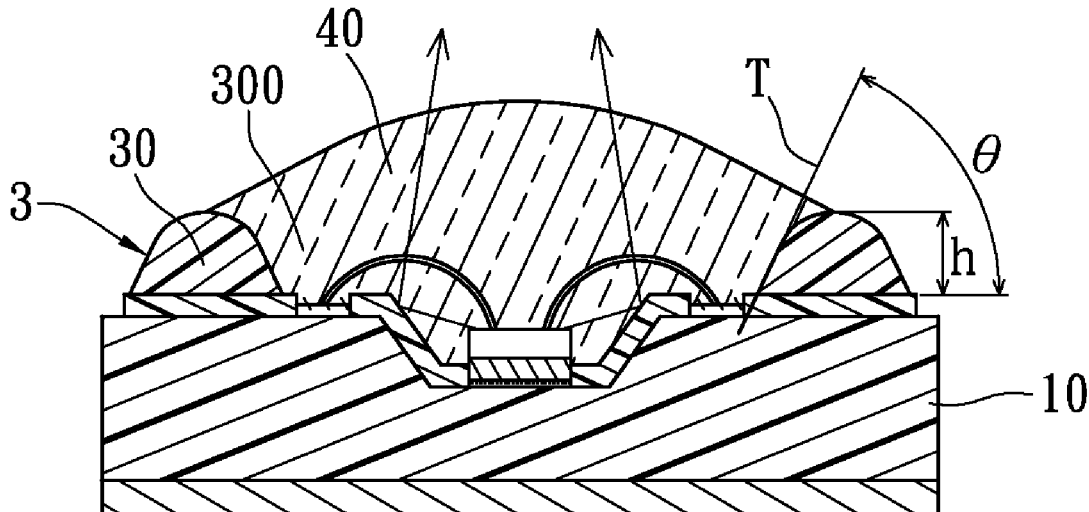
(51) **Int. Cl.**

H01L 33/00 (2010.01)
F21K 99/00 (2010.01)
H01L 25/075 (2006.01)
H01L 33/64 (2010.01)

(52) **U.S. Cl.**

CPC **F21K 9/00** (2013.01); **H01L 25/0753** (2013.01); **H01L 33/642** (2013.01); **H01L 2933/0075** (2013.01); **H01L 2224/48091** (2013.01); **H01L 2224/73265** (2013.01)

12 Claims, 14 Drawing Sheets



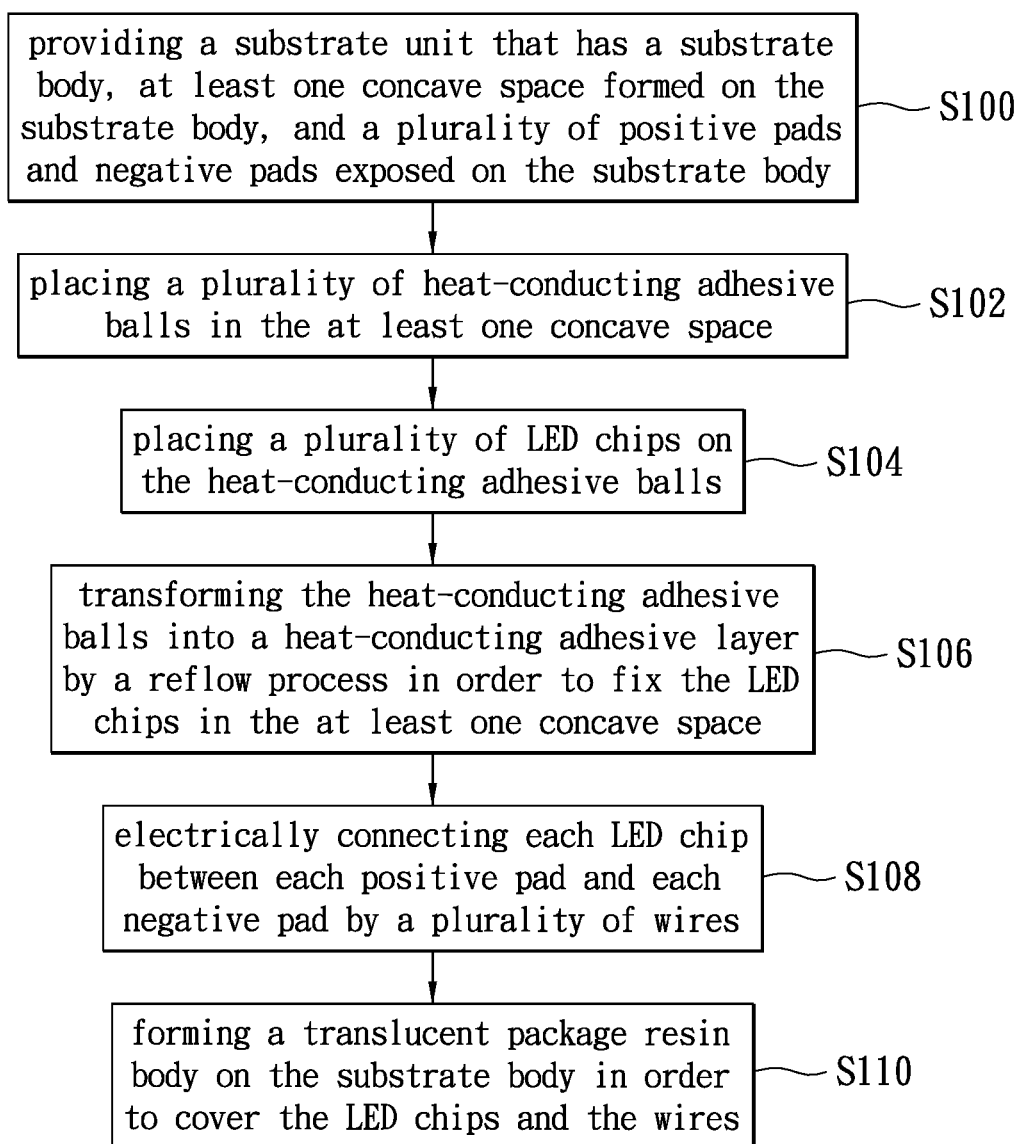
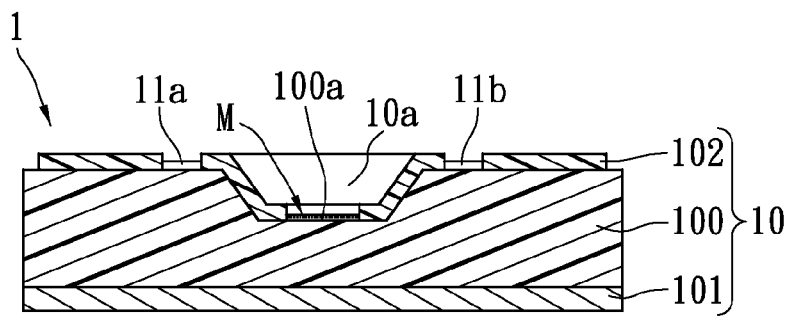
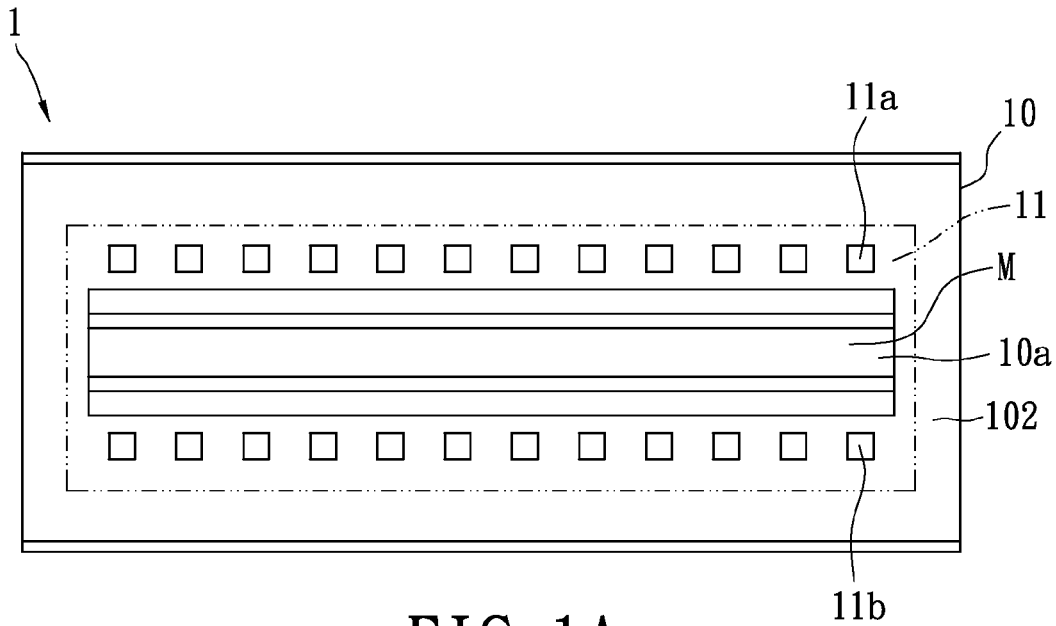


FIG. 1



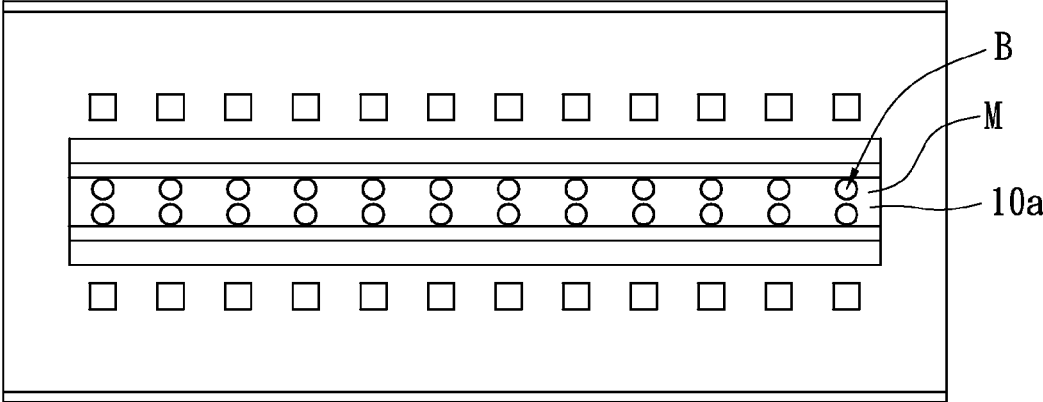


FIG. 1C

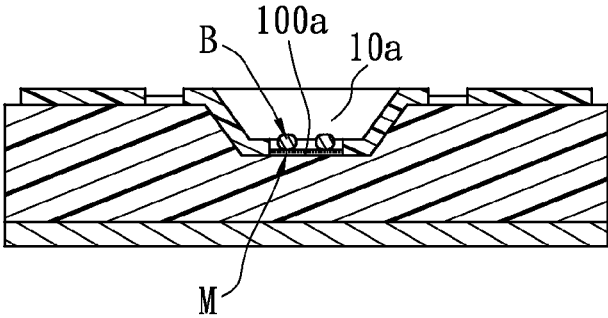


FIG. 1D

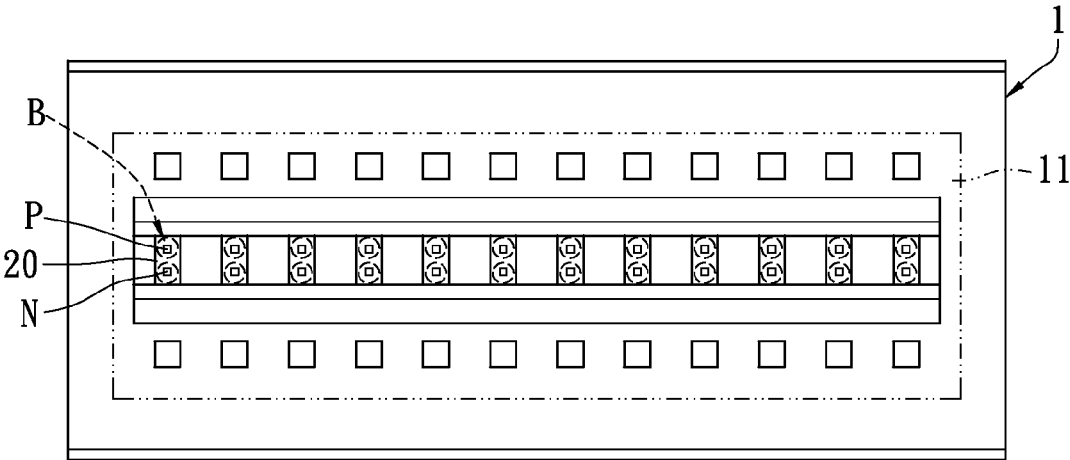


FIG. 1E

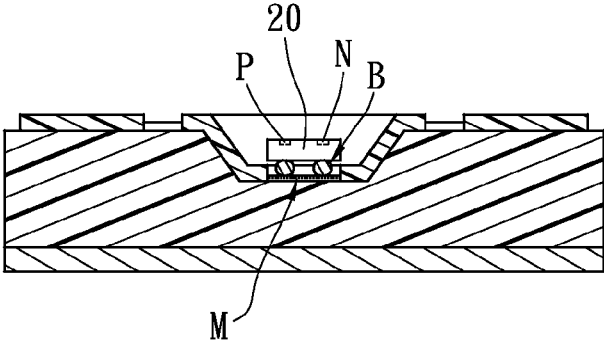


FIG. 1F

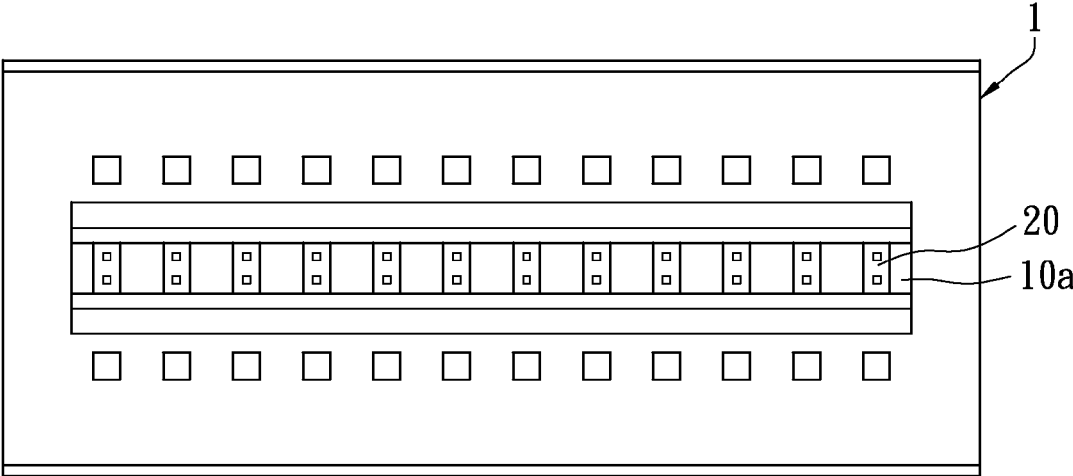


FIG. 1G

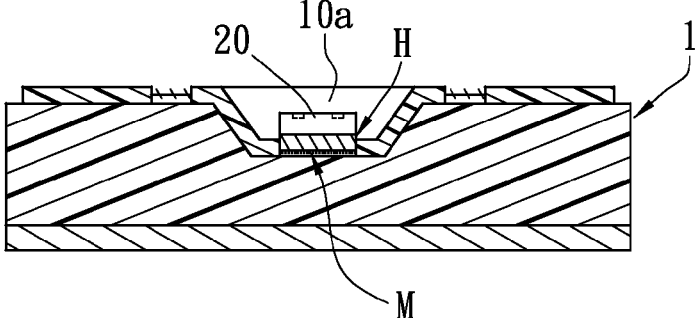


FIG. 1H

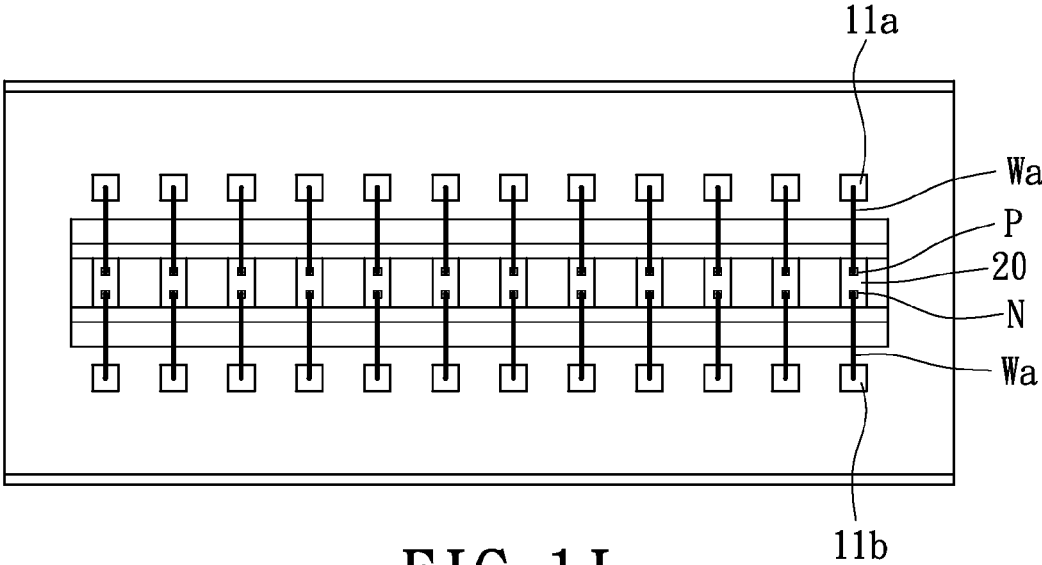


FIG. 11

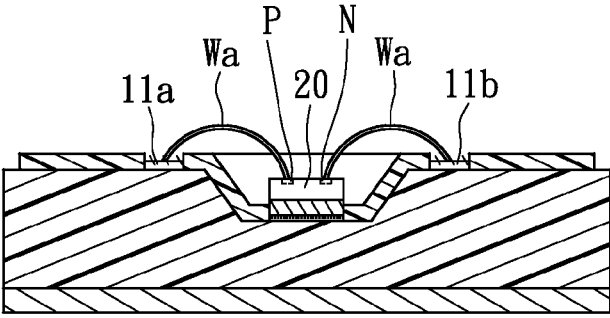


FIG. 1J

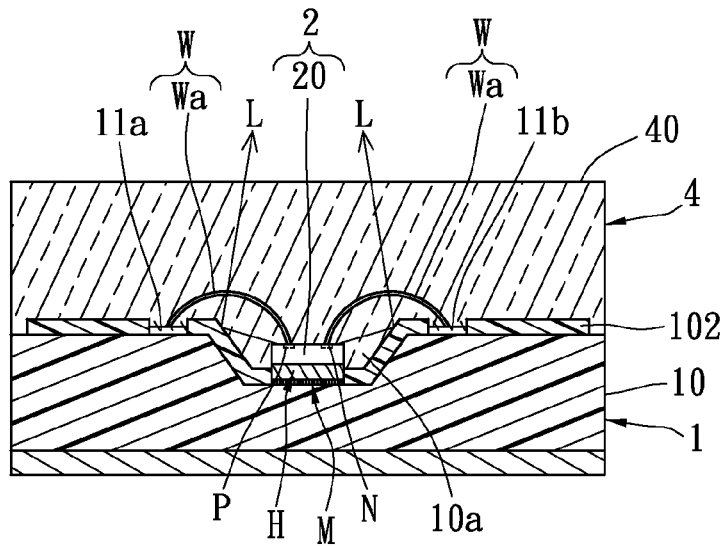


FIG. 1K

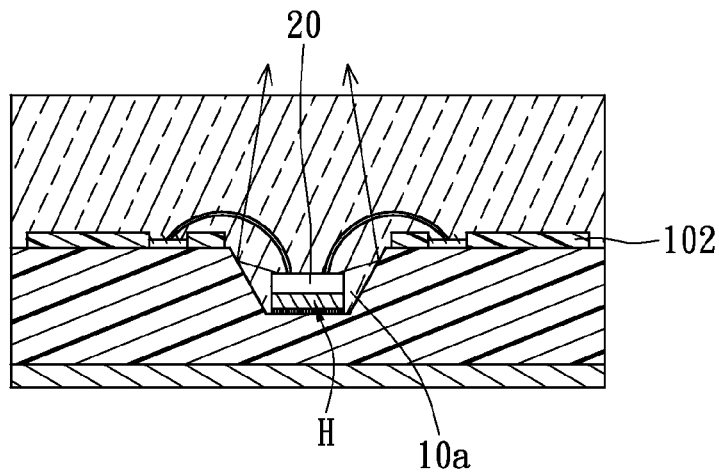


FIG. 2

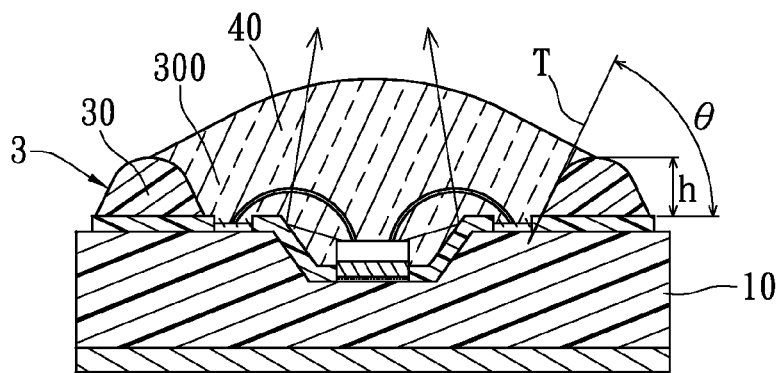


FIG. 3

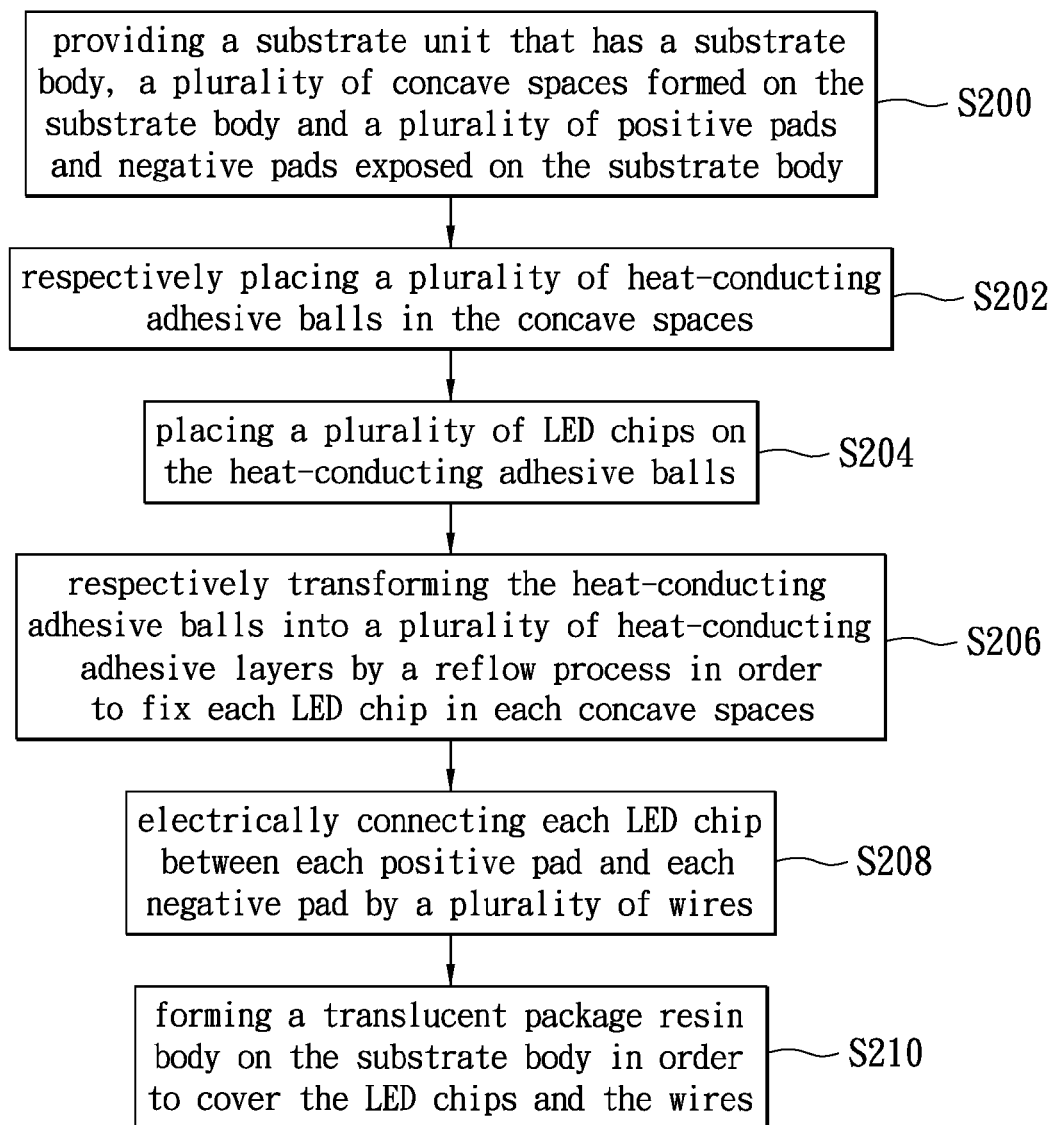


FIG. 4

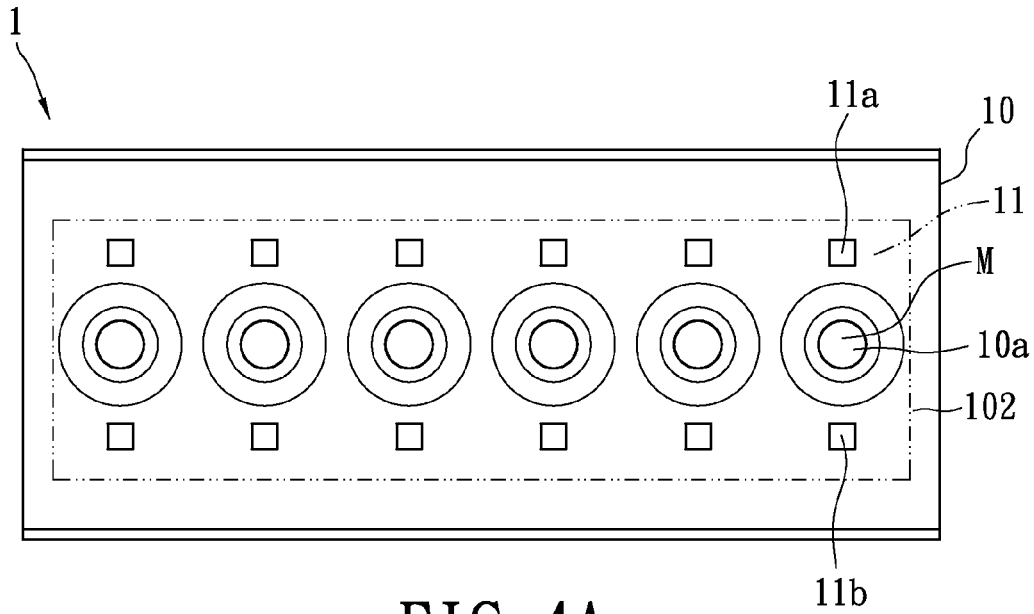


FIG. 4A

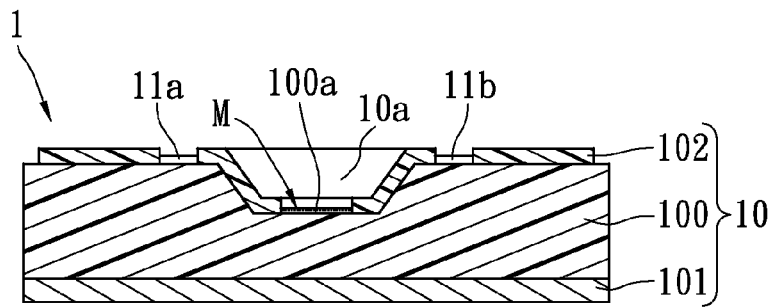


FIG. 4B

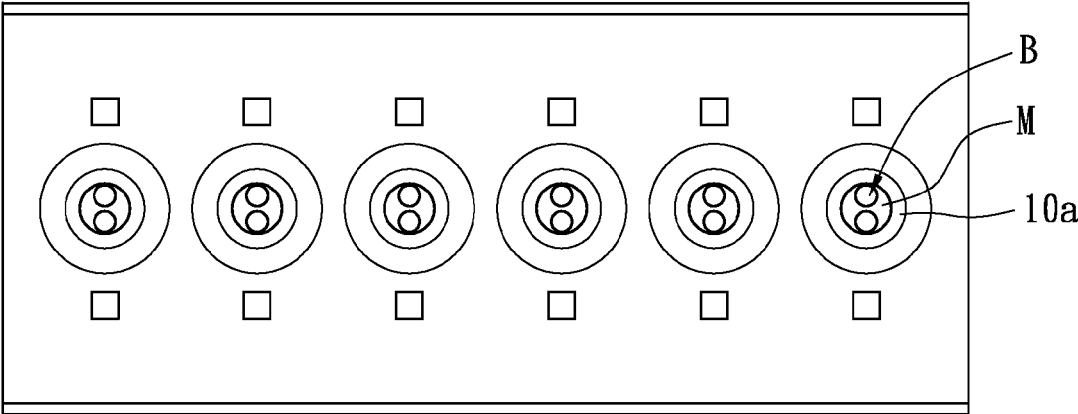


FIG. 4C

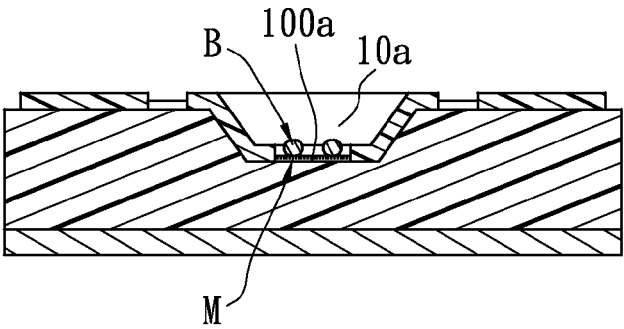


FIG. 4D

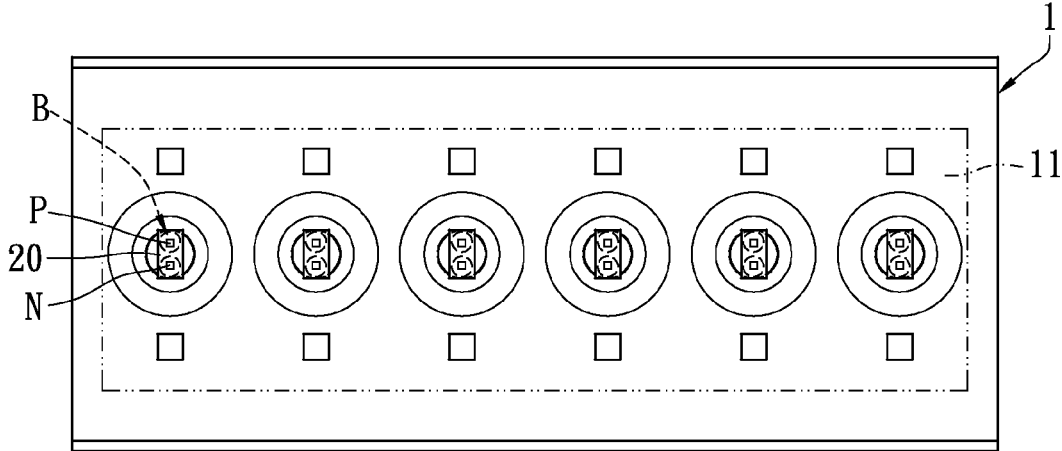


FIG. 4E

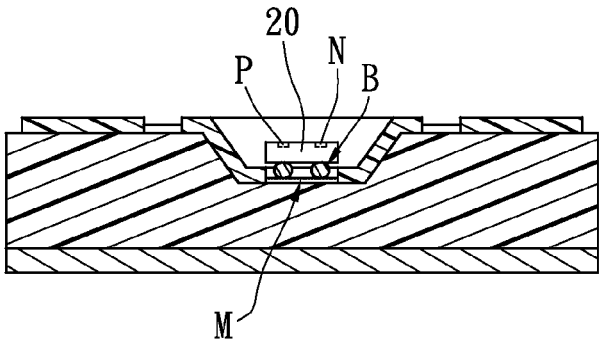


FIG. 4F

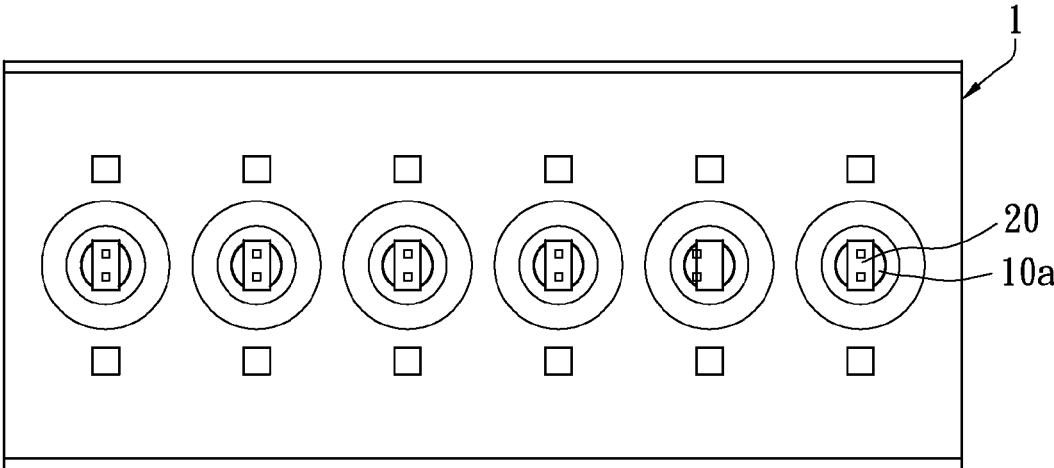


FIG. 4G

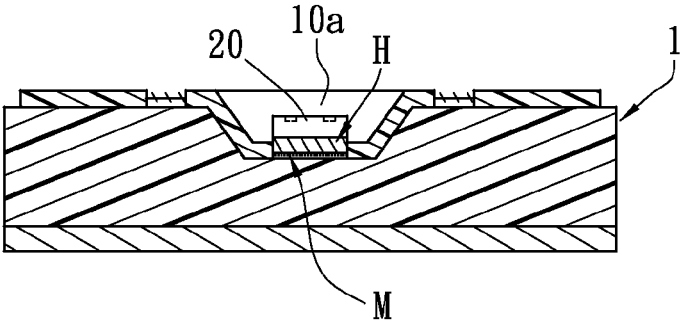


FIG. 4H

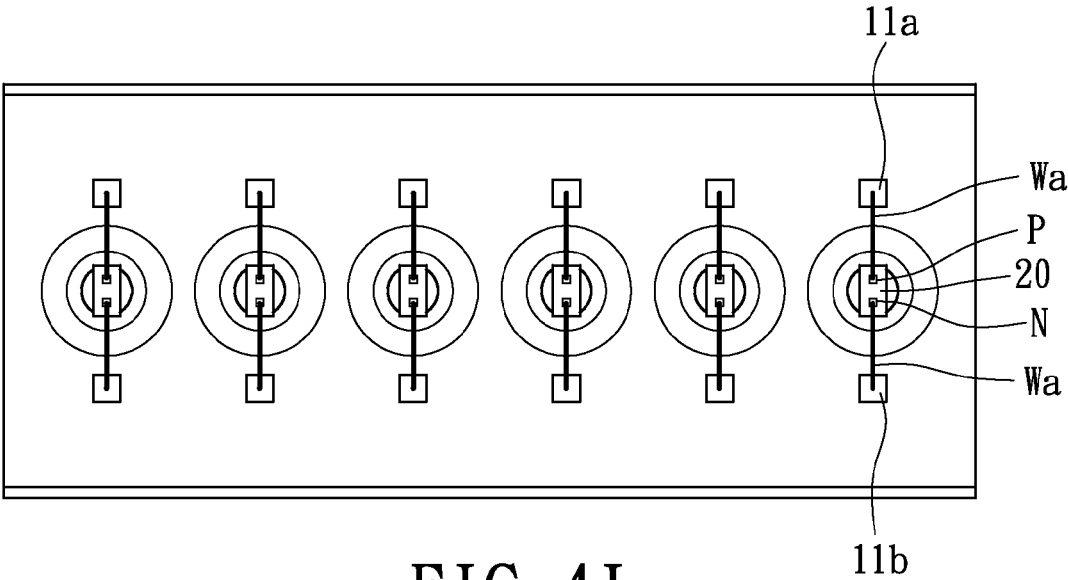


FIG. 4I

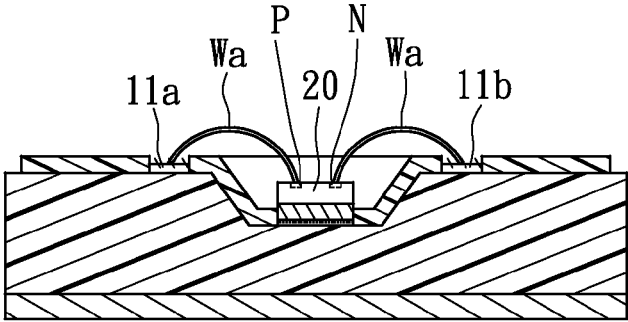


FIG. 4J

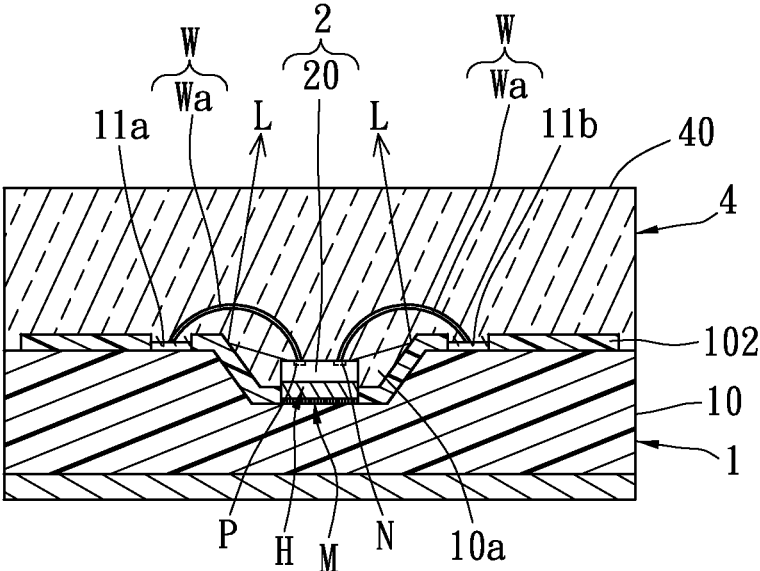


FIG. 4K

1

LED PACKAGE STRUCTURE WITH CONCAVE AREA FOR POSITIONING HEAT-CONDUCTING SUBSTANCE

CROSS REFERENCE TO RELATED APPLICATIONS

The present application is a division of prior U.S. application Ser. No. 12/558,492 filed Sep. 12, 2009, entitled "LED PACKAGE STRUCTURE WITH CONCAVE AREA FOR POSITIONING HEAT-CONDUCTING SUBSTANCE AND METHOD FOR MANUFACTURING THE SAME". The prior U.S. Application claims priority of Taiwan Patent Application No. 098123046, filed on Jul. 8, 2009, the entirety of which is incorporated herein by reference.

BACKGROUND OF THE INVENTION

1. Field of the Invention

The present invention relates to an LED package structure and a method for manufacturing the same, in particular, to an LED package structure with concave area for positioning heat-conducting substance and a method for manufacturing the same.

2. Description of Related Art

The invention of the lamp greatly changed the style of building construction and the living style of human beings, allowing people to work during the night. Without the invention of the lamp, we may stay in the living conditions of ancient civilizations.

Various lamps such as incandescent bulbs, fluorescent bulbs, power-saving bulbs and etc. have been intensively used for indoor illumination. These lamps commonly have the disadvantages of quick attenuation, high power consumption, high heat generation, short working life, high fragility, and being not recyclable. Further, the rapid flow of electrons (about 120 per second) through the electrodes of a regular fluorescent bulb causes an unstable current at the onset of lighting a fluorescent bulb, resulting in a flash of light that is harmful to the sight of the eyes. In order to eliminate this problem, a high frequency electronic ballast may be used. When a fluorescent or power-saving bulb is used with high frequency electronic ballast, it saves about 20% of the consumption of power and eliminates the problem of flashing. However, the high frequency electronic ballast is not detachable when installed in a fluorescent or power-saving bulb, the whole lamp assembly becomes useless if the bulb is damaged. Furthermore, because a fluorescent bulb contains a mercury coating, it may cause pollution to the environment when thrown away after damage. Hence, LED lamp or LED tube is created in order to solve the above-mentioned questions of the prior lamp.

SUMMARY OF THE INVENTION

In view of the aforementioned issues, the present invention provides an LED package structure with concave area for positioning heat-conducting substance and a method for manufacturing the same. The present invention uses at least one concave space on a substrate body to position LED (Light-emitting Diode) chips and uses at least one heat-conducting adhesive layer to efficiently dissipate heat generated by the LED chips.

To achieve the above-mentioned objectives, the present invention provides an LED package structure with concave area for positioning heat-conducting substance, including: a substrate unit, a heat-conducting adhesive unit, a light-emitting unit, a conductive unit and a package unit.

2

The substrate unit has a substrate body, at least one concave space formed on a top surface of the substrate body, a plurality of positive pads exposed on the top surface of the substrate body and a plurality of negative pads exposed on the top surface of the substrate body. The heat-conducting adhesive unit has at least one heat-conducting adhesive layer positioned in the at least one concave space of the substrate unit. The light-emitting unit has a plurality of LED chips disposed on the heat-conducting adhesive layer and received in the at least one concave space. Each LED chip has a positive electrode and a negative electrode. The conductive unit has a plurality of wires. Every two wires are respectively electrically connected between the positive electrode of each LED chip and each positive pad and between the negative electrode of each LED chip and each negative pad. The package unit has a translucent package resin body disposed on the top surface of the substrate body in order to cover the LED chips and the wires.

To achieve the above-mentioned objectives, the present invention provides an LED package structure with concave area for positioning heat-conducting substance, including: a substrate unit, a heat-conducting adhesive unit, a light-emitting unit, a conductive unit and a package unit. The substrate unit has a substrate body, a plurality of concave spaces formed on a top surface of the substrate body, a plurality of positive pads exposed on the top surface of the substrate body and a plurality of negative pads exposed on the top surface of the substrate body. The heat-conducting adhesive unit has a plurality of heat-conducting adhesive layers respectively positioned in the concave spaces of the substrate unit. The light-emitting unit has a plurality of LED chips respectively disposed on the heat-conducting adhesive layers and respectively received in the concave spaces, and each LED chip has a positive electrode and a negative electrode. The conductive unit has a plurality of wires. Every two wires are respectively electrically connected between the positive electrode of each LED chip and each positive pad and between the negative electrode of each LED chip and each negative pad. The package unit has a translucent package resin body disposed on the top surface of the substrate body in order to cover the LED chips and the wires.

To achieve the above-mentioned objectives, the present invention provides a method for manufacturing an LED package structure with concave area for positioning heat-conducting substance, including: providing a substrate unit that has a substrate body, at least one concave space formed on a top surface of the substrate body, a plurality of positive pads exposed on the top surface of the substrate body and a plurality of negative pads exposed on the top surface of the substrate body; placing a plurality of heat-conducting adhesive balls in the at least one concave space; placing a plurality of LED chips on the heat-conducting adhesive balls, and each LED chip having a positive electrode and a negative electrode; transforming the heat-conducting adhesive balls into a heat-conducting adhesive layer by a reflow process in order to fix the LED chips in the at least one concave space of the substrate unit; electrically connecting each LED chip between each positive pad and each negative pad by a plurality of wires, and every two wires respectively electrically connected between the positive electrode of each LED chip and each positive pad and between the negative electrode of each LED chip and each negative pad; and then forming a translucent package resin body on the top surface of the substrate body in order to cover the LED chips and the wires.

Therefore, the present invention creates one or many concave spaces to receive one or many heat-conducting adhesive layers (such as solder ball or solder paste) and LED chips on

the heat-conducting adhesive layers. Hence, the present invention can use the at least one concave space on the substrate body to position LED chips and use the at least one heat-conducting adhesive layer to efficiently dissipate heat generated by the LED chips.

In order to further understand the techniques, means and effects the present invention takes for achieving the prescribed objectives, the following detailed descriptions and appended drawings are hereby referred, such that, through which, the purposes, features and aspects of the present invention can be thoroughly and concretely appreciated; however, the appended drawings are merely provided for reference and illustration, without any intention to be used for limiting the present invention.

BRIEF DESCRIPTION OF THE DRAWINGS

FIG. 1 is a flowchart of the method of manufacturing an LED package structure according to the first embodiment of the present invention;

FIGS. 1A to 1J are schematic views of the LED package structure according to the first embodiment of the present invention, at different stages of the packaging processes, respectively;

FIG. 1K is a cross-sectional, schematic view of the LED package structure according to the first embodiment of the present invention;

FIG. 2 is a cross-sectional, schematic view of the LED package structure according to the second embodiment of the present invention;

FIG. 3 is a cross-sectional, schematic view of the LED package structure according to the third embodiment of the present invention;

FIG. 4 is a flowchart of the method of manufacturing an LED package structure according to the fourth embodiment of the present invention;

FIGS. 4A to 4J are schematic views of the LED package structure according to the fourth embodiment of the present invention, at different stages of the packaging processes, respectively; and

FIG. 4K is a cross-sectional, schematic view of the LED package structure according to the fourth embodiment of the present invention.

DETAILED DESCRIPTION OF THE PREFERRED EMBODIMENTS

Referring to FIG. 1, the first embodiment of the present invention provides a method for manufacturing an LED package structure with concave area for positioning heat-conducting substance. The method includes: providing a substrate unit (wherein the substrate unit has a substrate body, at least one concave space formed on a top surface of the substrate body, a plurality of positive pads exposed on the top surface of the substrate body and a plurality of negative pads exposed on the top surface of the substrate body); placing a plurality of heat-conducting adhesive balls (or heat-conducting adhesive paste) in the at least one concave space; placing a plurality of LED chips on the heat-conducting adhesive balls (wherein each LED chip has a positive electrode and a negative electrode); transforming the heat-conducting adhesive balls into a heat-conducting adhesive layer by a reflow process in order to fix the LED chips in the at least one concave space of the substrate unit; electrically connecting each LED chip between each positive pad and each negative pad by a plurality of wires (wherein every two wires are respectively electrically connected between the positive electrode of each

LED chip and each positive pad and between the negative electrode of each LED chip and each negative pad); and then forming a translucent package resin body on the top surface of the substrate body in order to cover the LED chips and the wires.

Referring to FIGS. 1 and 1A-1K, the detail descriptions of the first embodiment of the present invention are shown as follows:

Referring to FIGS. 1, 1A and 1B (FIG. 1B is a lateral, cross-sectional view of FIG. 1A), the method includes providing a substrate unit **1** that has a substrate body **10**, at least one concave space **10a** formed on a top surface of the substrate body **10**, a plurality of positive pads **11a** exposed on the top surface of the substrate body **10** and a plurality of negative pads **11b** exposed on the top surface of the substrate body **10** (the step of S100). In the first embodiment, the at least one concave space **10a** can be a ladder-type groove, and the substrate unit **1** has a chip-placing area **11** disposed on the top surface of the substrate body **10**.

Moreover, the substrate body **10** has a circuit substrate **100**, a heat-dissipating layer **101** disposed on a bottom surface of the circuit substrate **100** and an insulative reflecting layer **102** disposed on the top surface of the circuit substrate **100** in order to expose the positive pads **11a**, the negative pads **11b** and one part of a bottom surface **100a** in the concave space **10a**. In addition, a Ni/Pd/Au alloy M is disposed on the bottom surface **100a**. Hence, the heat-dissipating efficiency of the circuit substrate **100** is increased by using the heat-dissipating layer **101**, and the insulative reflecting layer **102** is a solder mask for exposing the positive pads **11a** and the negative pads **11b** only in order to achieve local soldering. However, the above-mentioned definition of the substrate body **10** does not limit the present invention. Any types of substrate can be applied to the present invention. For example, the substrate body **10** can be a PCB (Printed Circuit Board), a flexible substrate, an aluminum substrate, a ceramic substrate, or a copper substrate.

Referring to FIGS. 1, 1C and 1D (FIG. 1D is a lateral, cross-sectional view of FIG. 1C), the method includes placing a plurality of heat-conducting adhesive balls (or heat-conducting adhesive paste) B in the at least one concave space **10a** (the step of S102). In other words, the heat-conducting adhesive balls (or the heat-conducting adhesive paste) B are disposed in the at least one concave space **10a** and on the bottom surface **100a**, and each heat-conducting adhesive ball B can be a solder ball or solder paste.

Referring to FIGS. 1, 1E and 1F (FIG. 1F is a lateral, cross-sectional view of FIG. 1E), the method includes placing a plurality of LED chips **20** on the heat-conducting adhesive balls B; wherein each LED chip **20** has a positive electrode P and a negative electrode N (the step of S104). In addition, the LED chips **20** are electrically disposed on the chip-placing area **11** of the substrate unit **1**.

Referring to FIGS. 1, 1G and 1H (FIG. 1H is a lateral, cross-sectional view of FIG. 1G), the method includes transforming the heat-conducting adhesive balls B into a heat-conducting adhesive layer H by a reflow process in order to fix the LED chips **20** in the at least one concave space **10a** of the substrate unit **1** (the step of S106). In addition, the heat-conducting adhesive layer H is formed on the Ni/Pd/Au alloy M, so that the heat-conducting adhesive layer H does not directly touch the substrate body **10**.

Referring to FIGS. 1, 1I and 1J (FIG. 1J is a lateral, cross-sectional view of FIG. 1I), the method includes electrically connecting each LED chip **20** between each positive pad **11a** and each negative pad **11b** by a plurality of wires Wa; wherein every two wires Wa are respectively electrically connected

5

between the positive electrode P of each LED chip 20 and each positive pad 11a and between the negative electrode N of each LED chip 20 and each negative pad 11b (the step of S108).

Referring to FIGS. 1 and 1K, the method includes forming a translucent package resin body 40 on the top surface of the substrate body 10 in order to cover the LED chips 20 and the wires Wa (the step of S110).

In the first embodiment, each LED chip 20 can be a blue LED chip, and the translucent package resin body 40 can be a phosphor body. Hence, blue light beams (not shown) generated by the LED chips 20 (the blue LED chips) can pass through the translucent package resin body 40 (the phosphor body) or can be reflected by the insulative reflecting layer 102 to generate white light beams L that are similar to the light source generate by sun lamp.

Hence, referring to FIG. 1K, the first embodiment of the present invention provides an LED package structure with concave area for positioning heat-conducting substance, including: a substrate unit 1, a heat-conducting adhesive unit, a light-emitting unit 2, a conductive unit W and a package unit 4.

Moreover, the substrate unit 1 has a substrate body 10, at least one concave space 10a formed on a top surface of the substrate body 10, a plurality of positive pads 11a exposed on the top surface of the substrate body 10 and a plurality of negative pads 11b exposed on the top surface of the substrate body 10. In addition, the heat-conducting adhesive unit has at least one heat-conducting adhesive layer H positioned in the at least one concave space 10a of the substrate unit 1. The heat-conducting adhesive layer H is a heat-conducting coating layer made of a plurality of solder balls or solder paste that have passed through a tin furnace (as shown in FIGS. 1F and 1H). Furthermore, the light-emitting unit 2 has a plurality of LED chips 20 disposed on the heat-conducting adhesive layer H and received in the at least one concave space 10a, and each LED chip 20 has a positive electrode P and a negative electrode N.

In addition, the conductive unit W has a plurality of wires Wa. Every two wires Wa are respectively electrically connected between the positive electrode P of each LED chip 20 and each positive pad 11a and between the negative electrode N of each LED chip 20 and each negative pad 11b. In other words, the positive electrode P and the negative electrode N of each LED chip 20 are respectively electrically connected each positive pad 11a and each negative pad 11b by every two wires Wa. Moreover, the package unit 4 has a translucent package resin body 40 disposed on the top surface of the substrate body 10 in order to cover the LED chips 20 and the wires Wa.

Furthermore, the LED package structure of the first embodiment further includes: a Ni/Pd/Au alloy M disposed between the substrate body 10 and the heat-conducting adhesive layer M, and the LED chips 20 are disposed over the Ni/Pd/Au alloy M by the heat-conducting adhesive layer H.

Referring to FIG. 2, the difference between the second embodiment and the first embodiment is that: in the second embodiment, the insulative reflecting layer 102 does not form in the concave space 10a. Hence, the heat-conducting adhesive layer H and the LED chips 20 can be positioned on the bottom side in the concave space 10a.

Referring to FIG. 3, the difference between the third embodiment and the above-mentioned embodiments is that: in the third embodiment, before the step of forming the translucent package resin body 10, an annular reflecting resin body 30 (a light-reflecting unit 3) is formed on the top surface of the substrate body 10.

6

For example, the light-reflecting unit 3 that has an annular reflecting resin body 30 surroundingly formed on the top surface of the substrate body 10 by coating. The annular reflecting resin body 30 surrounds the LED chips 20 on the chip-placing area 11 (such as shown in FIG. 1A) to form a resin position limiting space 300 above the substrate body 10, and the position of the translucent package resin body 40 is limited in the resin position limiting space 300. In addition, before the step of forming the translucent package resin body 40, the method includes: surroundingly coating liquid resin (not shown) on the top surface of the substrate body 10 (the liquid resin can be coated on the substrate body 10 by any shapes according to different requirements (such as a circular shape, a square or a rectangular shape etc.)), and then hardening the liquid resin to form an annular reflecting resin body 30, and the annular reflecting resin body 30 can be a white thermohardening reflecting body (opaque resin) mixed with inorganic additive.

The thixotropic index of the liquid resin is between 4 and 6, the pressure of coating the liquid resin on the top surface of the substrate body 10 is between 350 kpa and 450 kpa, and the velocity of coating the liquid resin on the top surface of the substrate body 10 is between 5 mm/s and 15 mm/s. The liquid resin is surroundingly coated on the top surface of the substrate body 10 from a start point to a termination point, and the position of the start point and the position of the termination point are the same. In addition, the liquid resin is hardened by baking, the baking temperature is between 120° C. and 140° C., and the baking time is between 20 minute and 40 minute.

Moreover, the annular reflecting resin body 30 has an arc shape formed on a top surface thereof. The annular reflecting resin body 30 has a radius tangent T, and the angle θ of the radius tangent T relative to the top surface of the substrate body 10 is between 40° C. and 50° C. The maximum height h of the annular reflecting resin body 30 relative to the top surface of the substrate body 10 is between 0.3 mm and 0.7 mm, and the width of a bottom side of the annular reflecting resin body 30 is between 1.5 mm and 3 mm. The thixotropic index of the annular reflecting resin body 30 is between 4 and 6.

Referring to FIG. 4, the second embodiment of the present invention provides a method for manufacturing an LED package structure with concave area for positioning heat-conducting substance. The method includes: providing a substrate unit (wherein the substrate unit has a substrate body, a plurality of concave spaces formed on a top surface of the substrate body, a plurality of positive pads exposed on the top surface of the substrate body and a plurality of negative pads exposed on the top surface of the substrate body); respectively placing a plurality of heat-conducting adhesive balls (or heat-conducting adhesive paste) in the concave spaces; placing a plurality of LED chips on the heat-conducting adhesive balls (wherein each LED chip has a positive electrode and a negative electrode); respectively transforming the heat-conducting adhesive balls into a plurality of heat-conducting adhesive layers by a reflow process in order to fix the LED chips in the concave spaces of the substrate unit; electrically connecting each LED chip between each positive pad and each negative pad by a plurality of wires (wherein every two wires are respectively electrically connected between the positive electrode of each LED chip and each positive pad and between the negative electrode of each LED chip and each negative pad); and then forming a translucent package resin body on the top surface of the substrate body in order to cover the LED chips and the wires.

Referring to FIGS. 4 and 4A-4K, the detail descriptions of the second embodiment of the present invention are shown as follows:

Referring to FIGS. 1, 4A and 4B (FIG. 4B is a lateral, cross-sectional view of FIG. 4A), the method includes providing a substrate unit 1 that has a substrate body 10, a plurality of concave spaces 10a formed on a top surface of the substrate body 10, a plurality of positive pads 11a exposed on the top surface of the substrate body 10 and a plurality of negative pads 11b exposed on the top surface of the substrate body 10 (the step of S200). In the second embodiment, each concave space 10a can be a poculiform groove, and the substrate unit 1 has a chip-placing area 11 disposed on the top surface of the substrate body 10.

Moreover, the substrate body 10 has a circuit substrate 100, a heat-dissipating layer 101 disposed on a bottom surface of the circuit substrate 100 and an insulative reflecting layer 102 disposed on the top surface of the circuit substrate 100 in order to expose the positive pads 11a, the negative pads 11b and one part of bottom surfaces 100a in the concave spaces 10a. In addition, each Ni/Pd/Au alloy M is disposed on each bottom surface 100a.

Referring to FIGS. 4, 4C and 4D (FIG. 4D is a lateral, cross-sectional view of FIG. 4C), the method includes respectively placing a plurality of heat-conducting adhesive balls (or heat-conducting adhesive paste) B in the concave spaces 10a (the step of S202). In other words, at least one heat-conducting adhesive ball (or the heat-conducting adhesive paste) B is disposed in each concave space 10a and on each bottom surface 100a, and each heat-conducting adhesive ball B can be a solder ball or solder paste.

Referring to FIGS. 4, 4E and 4F (FIG. 4F is a lateral, cross-sectional view of FIG. 4E), the method includes placing a plurality of LED chips 20 on the heat-conducting adhesive balls B; wherein each LED chip 20 has a positive electrode P and a negative electrode N (the step of S204). In addition, the LED chips 20 are electrically disposed on the chip-placing area 11 of the substrate unit 1.

Referring to FIGS. 4, 4G and 4H (FIG. 4H is a lateral, cross-sectional view of FIG. 4G), the method includes respectively transforming the heat-conducting adhesive balls B into a plurality of heat-conducting adhesive layers H by a reflow process in order to fix each LED chip 20 in each concave spaces 10a of the substrate unit 1 (the step of S206). In addition, each heat-conducting adhesive layer H is formed on each Ni/Pd/Au alloy M, so that the heat-conducting adhesive layers H do not directly touch the substrate body 10.

Referring to FIGS. 4, 4I and 4J (FIG. 4J is a lateral, cross-sectional view of FIG. 4I), the method includes electrically connecting each LED chip 20 between each positive pad 11a and each negative pad 11b by a plurality of wires Wa; wherein every two wires Wa are respectively electrically connected between the positive electrode P of each LED chip 20 and each positive pad 11a and between the negative electrode N of each LED chip 20 and each negative pad 11b (the step of S208).

Referring to FIGS. 4 and 4K, the method includes forming a translucent package resin body 40 on the top surface of the substrate body 10 in order to cover the LED chips 20 and the wires Wa (the step of S210).

In the second embodiment, each LED chip 20 can be a blue LED chip, and the translucent package resin body 40 can be a phosphor body. Hence, blue light beams (not shown) generated by the LED chips 20 (the blue LED chips) can pass through the translucent package resin body 40 (the phosphor

body) or can be reflected by the insulative reflecting layer 102 to generate white light beams L that are similar to the light source generate by sun lamp.

Hence, referring to FIG. 4K, the second embodiment of the present invention provides an LED package structure with concave area for positioning heat-conducting substance, including: a substrate unit 1, a heat-conducting adhesive unit, a light-emitting unit 2, a conductive unit W and a package unit 4.

Moreover, the substrate unit 1 has a substrate body 10, a plurality of least one concave spaces 10a formed on a top surface of the substrate body 10, a plurality of positive pads 11a exposed on the top surface of the substrate body 10 and a plurality of negative pads 11b exposed on the top surface of the substrate body 10. In addition, the heat-conducting adhesive unit has a plurality of heat-conducting adhesive layers H respectively positioned in the concave spaces 10a of the substrate unit 1. Each heat-conducting adhesive layer H is a heat-conducting coating layer made of a plurality of solder balls or solder paste that have passed through a tin furnace (as shown in FIGS. 4F and 4H). Furthermore, the light-emitting unit 2 has a plurality of LED chips 20 respectively disposed on the heat-conducting adhesive layers H and received in the concave spaces 10a, and each LED chip 20 has a positive electrode P and a negative electrode N.

In addition, the conductive unit W has a plurality of wires Wa. Every two wires Wa are respectively electrically connected between the positive electrode P of each LED chip 20 and each positive pad 11a and between the negative electrode N of each LED chip 20 and each negative pad 11b. In other words, the positive electrode P and the negative electrode N of each LED chip 20 are respectively electrically connected each positive pad 11a and each negative pad 11b by every two wires Wa. Moreover, the package unit 4 has a translucent package resin body 40 disposed on the top surface of the substrate body 10 in order to cover the LED chips 20 and the wires Wa.

Furthermore, the LED package structure of the first embodiment further includes: a plurality of Ni/Pd/Au alloys M. Each Ni/Pd/Au alloy M is disposed between the substrate body 10 and each heat-conducting adhesive layer M, and each LED chip 20 is disposed over each Ni/Pd/Au alloy M by each heat-conducting adhesive layer H.

In conclusion, the present invention creates one or many concave spaces to receive one or many heat-conducting adhesive layers (such as solder ball or solder paste) and LED chips on the heat-conducting adhesive layers. Hence, the present invention can use the at least one concave space on the substrate body to position LED chips and use the at least one heat-conducting adhesive layer to efficiently dissipate heat generated by the LED chips.

The above-mentioned descriptions represent merely the preferred embodiment of the present invention, without any intention to limit the scope of the present invention thereto. Various equivalent changes, alternations or modifications based on the claims of present invention are all consequently viewed as being embraced by the scope of the present invention.

What is claimed is:

1. An LED package structure with concave area for positioning heat-conducting substance, comprising:
 - a substrate unit having a substrate body, at least one concave space formed on a top surface of the substrate body, a plurality of positive pads exposed on the top surface of the substrate body and a plurality of negative pads exposed on the top surface of the substrate body;

- a heat-conducting adhesive unit having at least one heat-conducting adhesive layer positioned in the at least one concave space of the substrate unit;
 - a light-emitting unit having a plurality of LED chips disposed on the heat-conducting adhesive layer and received in the at least one concave space, wherein each LED chip has a positive electrode and a negative electrode;
 - a conductive unit having a plurality of wires, wherein every two wires are respectively electrically connected between the positive electrode of each LED chip and each positive pad and between the negative electrode of each LED chip and each negative pad;
 - a package unit having a translucent package resin body disposed on the top surface of the substrate body in order to cover the LED chips and the wires; and
 - a Ni/Pd/Au alloy disposed between the substrate body and the heat-conducting adhesive layer, wherein the LED chips are disposed over the Ni/Pd/Au alloy by the heat-conducting adhesive layer.
2. The LED package structure according to claim 1, wherein the substrate unit has a chip-placing area disposed on the top surface of the substrate body, and the LED chips are electrically disposed on the chip-placing area of the substrate unit.
 3. The LED package structure according to claim 2, further comprising: a light-reflecting unit that has an annular reflecting resin body surroundingly formed on the top surface of the substrate body by coating, wherein the annular reflecting resin body surrounds the LED chips on the chip-placing area to form a resin position limiting space above the substrate body, and the position of the translucent package resin body is limited in the resin position limiting space.
 4. The LED package structure according to claim 1, wherein each LED chip is a blue LED chip, and the translucent package resin body is a phosphor body.
 5. The LED package structure according to claim 1, wherein the annular reflecting resin body has an arc shape formed on a top surface thereof, the annular reflecting resin body has a radius tangent and the angle of the radius tangent relative to the top surface of the substrate body is between 40° and 50°, the maximum height of the annular reflecting resin body relative to the top surface of the substrate body is between 0.3 mm and 0.7 mm, the width of a bottom side of the annular reflecting resin body is between 1.5 mm and 3 mm, the thixotropic index of the annular reflecting resin body is between 4 and 6, and the annular reflecting resin body is a white thermohardening reflecting body mixed with inorganic additive.
 6. The LED package structure according to claim 1, wherein the heat-conducting adhesive layer is a heat-conducting coating layer made of a plurality of solder balls or solder paste that have passed through a tin furnace.
 7. An LED package structure with concave area for positioning heat-conducting substance, comprising:
 - a substrate unit having a substrate body, a plurality of concave spaces formed on a top surface of the substrate body, a plurality of positive pads exposed on the top

- surface of the substrate body and a plurality of negative pads exposed on the top surface of the substrate body;
 - a heat-conducting adhesive unit having a plurality of heat-conducting adhesive layers respectively positioned in the concave spaces of the substrate unit;
 - a light-emitting unit having a plurality of LED chips respectively disposed on the heat-conducting adhesive layers and respectively received in the concave spaces, wherein each LED chip has a positive electrode and a negative electrode;
 - a conductive unit having a plurality of wires, wherein every two wires are respectively electrically connected between the positive electrode of each LED chip and each positive pad and between the negative electrode of each LED chip and each negative pad;
 - a package unit having a translucent package resin body disposed on the top surface of the substrate body in order to cover the LED chips and the wires; and
 - a plurality of Ni/Pd/Au alloys, wherein each Ni/Pd/Au alloy is disposed between the substrate body and each heat-conducting adhesive layer, wherein each LED chip is disposed over each Ni/Pd/Au alloy by each heat-conducting adhesive layer.
8. The LED package structure according to claim 7, wherein the substrate unit has a chip-placing area disposed on the top surface of the substrate body, and the LED chips are electrically disposed on the chip-placing area of the substrate unit.
 9. The LED package structure according to claim 8, further comprising: a light-reflecting unit that has an annular reflecting resin body surroundingly formed on the top surface of the substrate body by coating, wherein the annular reflecting resin body surrounds the LED chips on the chip-placing area to form a resin position limiting space above the substrate body, and the position of the translucent package resin body is limited in the resin position limiting space.
 10. The LED package structure according to claim 7, wherein each LED chip is a blue LED chip, and the translucent package resin body is a phosphor body.
 11. The LED package structure according to claim 7, wherein the annular reflecting resin body has an arc shape formed on a top surface thereof, the annular reflecting resin body has a radius tangent and the angle of the radius tangent relative to the top surface of the substrate body is between 40° and 50°, the maximum height of the annular reflecting resin body relative to the top surface of the substrate body is between 0.3 mm and 0.7 mm, the width of a bottom side of the annular reflecting resin body is between 1.5 mm and 3 mm, the thixotropic index of the annular reflecting resin body is between 4 and 6, and the annular reflecting resin body is a white thermohardening reflecting body mixed with inorganic additive.
 12. The LED package structure according to claim 7, wherein each heat-conducting adhesive layer is a heat-conducting coating layer made of a plurality of solder balls or solder paste that have passed through a tin furnace.

* * * * *