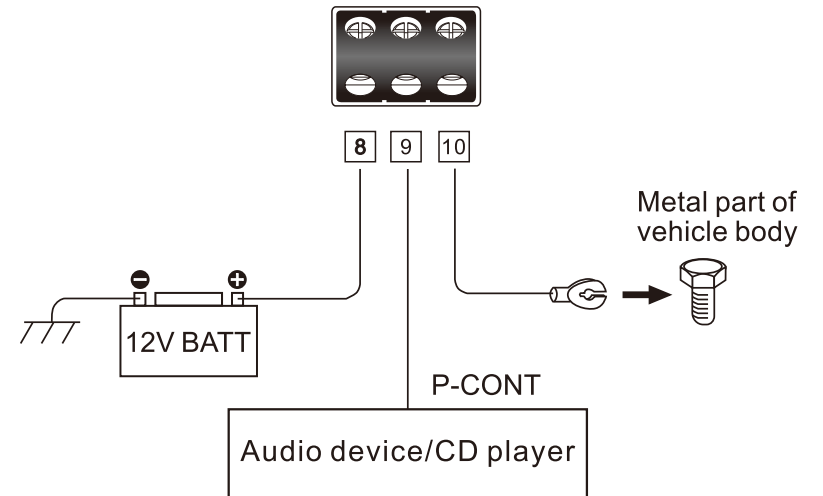


- |                               |                                     |
|-------------------------------|-------------------------------------|
| 1 PHASE (0°/180°)             | 2 LP CROSSOVER FREQUENCY (50~100HZ) |
| 3 GAIN                        | 4 REMOTE CONTROL UNIT               |
| 5 RCA SIGNAL INPUT            | 6 HIGH LEVEL INPUT                  |
| 7 FUSE = 20A                  | 8 TO BATTERY +12V                   |
| 9 TO TURN-ON (REMOTE) OF DECK | 10 GROUND TO CHASSIS                |



Controls & connector Diagram

Wiring Diagram