

# SAC-L25AS

## 5M AHD Starlight IR Bullet Camera

- 4M@25/30fps, 5M@20fps Color Camera
- 1/2.8" Sony 5M STARVIS CMOS Sensor
- Color: 0.12Lux@F2.0, B/W: 0.05Lux@F2.0, IR On: 0Lux
- Switchable Video Output: AHD 4M, 5M TVI 4M, 5M or CVBS (TVI or CVI Optional)
- 2D/3D Noise Reduction
- Auto Shutter Mode
- Lens Shading Compensation



AHD, TVI, CVI & CVBS  
4 in 1

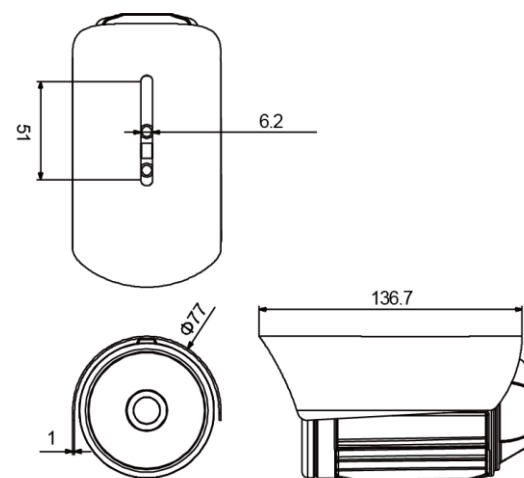
AHD/TVI/CVI Camera

Video	Image Sensor	1/2.8" Sony 5M STARVIS Sensor
	Video Frame Rate (Maximum)	4M@25/30fps; 5M@20fps
	Minimum Illumination	Color: 0.12Lux@F2.0, B/W: 0.05Lux@F2.0, IR On: 0Lux
	Video Output	AHD 4M (Default), 5M or CVBS Switchable. TVI or CVI Output Optional
	Mechanical IR Cut Filter (ICR)	Yes
	IR LED; Working Distance (Meter)	6pcs Array High Power LEDs ; 15-20M
	S/N Ratio	48dB
Function	OSD Menu	OSD Control / CoC (Via the coax)
	Day & Night Mode	EXT(IR Sync)
	Auto Electronic Shutter	Auto 1/25 (1/30~1/50,000 Sec)
	White Balance	ATW / AWC (Push Lock)
	WDR	D-WDR
	Dynamic Noise Reduction	3DNR / 2DNR
	Lens Shading Compensation	On / Off
General	Lens Mount	M12
	Lens, Angle of View	Standard f3.6mm; Optional f2.8mm
	Water Resistance	IP66
	Power Supply; Consumption	12Vdc; 5.8W
	Operation; Storage Temp.	-10°C ~ 50°C; -20°C ~ 60°C
	Operation; Storage Humidity	Maximum: RH80%; RH90%
	Dimensions	77mm(W)×75.4mm(H)×141.8mm(D)
	Net Weight	400g



Dimensions

Tol: ±0.5 Unit: mm



\*Specifications are subject to change without notice.V02\_1711\_181211