

SNC-VL22043MDV-II-P

2M Parking Lot / Entrance Gate LPR Camera

- Full HD 1920x1080P@25/30fps
- 1/2.8" Sony 2.1M, 2nd Generation STARVIS (Darklight Level) Sensor
- Color: 0.1Lux@F1.4, White Light LEDs On: 0 Lux
- Optical 4X (f2.8-12mm/F1.4)
- White LED On by Smart Detection
- White LEDs Light Level Adjustable
- Programmable Self-Defined Min. & Max. Shutter Speed Range
- True WDR up to 120dB
- Day/Night Switch Re-auto Focus or Preset Focus
- 2D/3D Noise Reduction & Sense up • Fog Reduction Auto/Manual Mode
- Support PoE or DC12V

Darklight

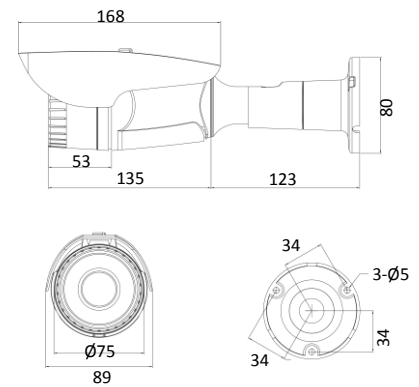

IP Camera

Video	Image Sensor	1/2.8" SONY 2.1M STARVIS CMOS Sensor
	Video Frame Rate (Maximum)	1920x1080p@25/30fps, 1280x720p@30fps
	Minimum Illumination	Color: 0.1Lux@F1.4, White Light LEDs On: 0 Lux
	Wide Dynamic Range	120dB
	Mechanical IR Cut Filter (ICR)	N/A
Function	White LED ; Working Distance (Meter)	4pcs Array Hi-Power White Light LED; 12-18M
	White LEDs	Day / Night: Auto Smart On, ON, Off Programmable
	Auto Electronic Shutter	1/25(30)~ 1/30000 sec; Flickerless
	Manual Electronic Shutter	20 Steps: 1/25(30), 1/50(60), 1/100(120), 1/150 (180), 1/200 (1/ 240), 1/450, 1/500, 1/600, 1/750, 1/1000, 1/1500, 1/2000, 1/4000, 1/8000, 1/16000, 1/30000 sec
	White Balance	AWB / ATW / PWB(Push Lock) / Manual
	WDR & BLC Functions	Off/ HLC / D-WDR / WDR / BLC
	Fog Reduction	Auto / Manual / Off; Level: High / Middle / Low
	DNR	2D/3D : High / Middle / Low / Off ; SMART : On/Off
	Sense up	On (x2, x4, x8, x16, x32) / Off
	Language	English / Japanese / Traditional Chinese / Simplified Chinese
	E-Zoom	1.0X~8.0X (step 0.1)
	Image Setting	Sharpness / Saturation / Gamma / Black Level / Mirror / Flip
	Privacy Zone Masks	16 Zones Programmable
	Motion Detection	On: Sensitivity, Area Program/Off
	Lens Shading Compensation	On / Off
Network	Browser	IE 9.0 or Above
	Ethernet	10 / 100M Auto Negotiation
	Bit Rate	64 up to 12,000 Kbps
	Protocols	TCP IP, UDP, HTTP, SMTP, FTP, NTP, DNS, DHCP, PPPoE, ARP, UPnP, RTSP, RTP,SNMP, TRAP, Ethernet (RJ-45 Wired 10/100 Base-TX)
	Video Streaming	H.264, MPEG4 and M-JPEG Dual / Triple Streaming
	Audio Broadcast	Two-way Audio; G.711 (μLaw), 8KHz / 16KHz Sample Rate
	Users	Support 9 Users
	Security	ID / Password Protection
	Alarm Trigger	File Upload via FTP and Email/Notification via Email, HTTP
	Multicast	Support Multicast Function
General	Focusing System	Zoom & Auto Focus; Day / Night Focus Preset
	Connector	Audio, RJ45, DC Power, DI / DO, Reset Button
	Alarm In / Out	DI / DO
	Automatic IRIS ; Connector	DC
	Lens Adapter	Built-in Zoom Lens
	Lens/Working Dist.	Standard: f2.8-12mm/F1.4, Optional: f7-22mm Motorized Zoom Lens F2.8-12mm: 2-8 Meter (6.5-26 ft); f7-22mm: 5-18 Meter (16.5-60 ft)
	Water Resistance	N/A
	Max. Breaking Strength	N/A
	Power Supply ; Consumption	12Vdc / PoE:6W ; LED On:9.6W
	Operation; Storage Temp.	-10°C ~ 50°C ; -20°C ~ 60°C
	Operation; Storage Humidity	Maximum: RH80%; RH90%
Dimensions	89(DIA)x168(H)mm	
Net Weight	700g	



Dimensions

Tol: ±0.5 Unit: mm



Options

*Specifications are subject to change without notice. 13S1_v03_180927