

# SAC-WDL328MOC-II

## One Cable 1080P AHD IR Dome Camera

- Full HD 1920x1080P@25/30fps Color Camera
- 1/3" Sony 2.2M Exmor CMOS Sensor
- Color: 0.1 Lux, B/W: 0.06 Lux, IR On: 0 Lux @F1.3
- Built-in f2.7~12mm Zoom Lens makes zoom easy
- Video Output: AHD One Cable
- 2D/3D Noise Reduction
- Auto Shutter Mode
- Mechanical IR Cut Filter (ICR)
- IP66 Waterproof



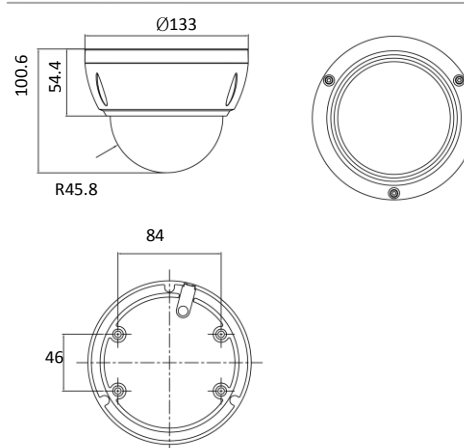
Video	Image Sensor	1/3" Sony 2.2M Exmor CMOS Sensor
	Video Frame Rate (Maximum)	1920x1080p@25/30fps, 1280x720p@30fps
	Minimum Illumination	Color: 0.1 Lux, B/W: 0.06 Lux, IR On: 0 Lux @F1.3
	Video Output	AHD One Cable
	Mechanical IR Cut Filter (ICR)	Yes
	IR LED; Working Distance (Meter)	24pcs; 15~20M
	S/N Ratio	52dB
Function	OSD Menu	CoC OSD
	Day & Night Mode	IR-SYNC
	Auto Electronic Shutter	Auto 1/25 (1/30~1/50,000 Sec)
	White Balance	ATW
	WDR	D-WDR
	Dynamic Noise Reduction	3DNR / 2DNR
	Sense Up	Off
General	Lens Mount	Built-in Varifocal D/N Lens
	Lens, Angle of View	f2.7~12mm/F1.3
	Water Resistance; Max. Breaking Strength	IP66
	Power Supply; Consumption	PoC; Max.5.6W
	Operation; Storage Temp.	-10°C ~ 50°C; -20°C ~ 60°C
	Operation; Storage Humidity	Maximum: RH80%; RH90%
	Dimensions	133(DIA) x 101mm
	Net Weight	670g

\*Specifications are subject to change without notice. 1541\_20170816



### Dimensions

Tol: ±0.5 Unit: mm



### Options



### HD One Cable Power Supply Unit

